

## 25 Metallic Tech Sheet

## ECLIPSE<sup>®</sup>

**Eclipse pumps represent a dramatic advance in pump technology.** Combining proven design principles with state-of-the-art engineering, it is the most safe, simple, and reliable pump on the market today. Service only takes minutes, thus reducing process downtime and maintenance costs. It is commonly used for applications in industries such as chemical processing, petrochemical, and water treatment.



### Applications

pH control, odor control, acids, caustic, hydrogen peroxide, ammonia



### Flow

up to 7.4 gpm (28.0 lpm)



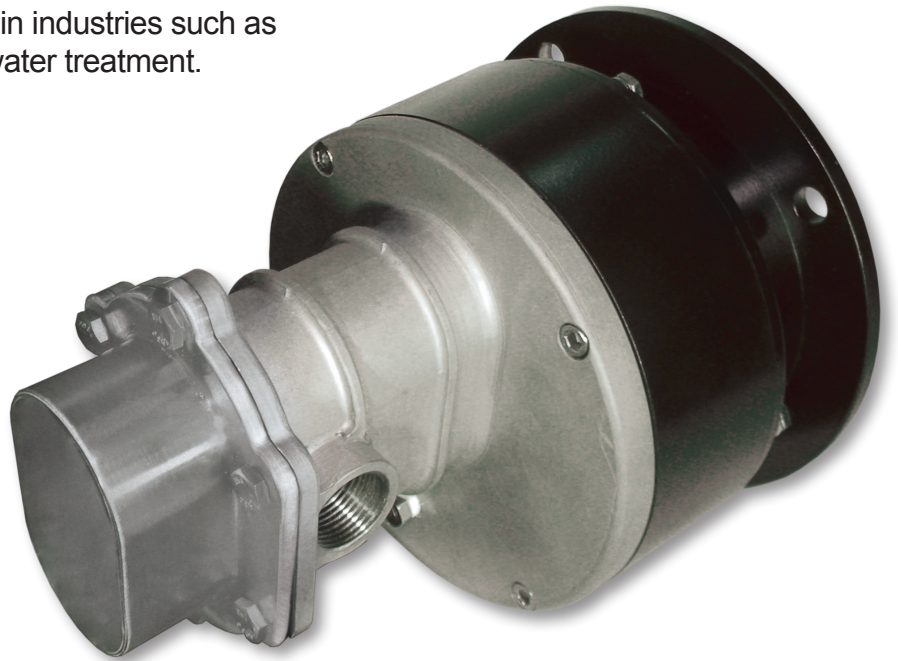
### Differential Pressure

up to 150 psi (10.3 bar)



### Temperature

up to 450°F (232°C)



## Features & Benefits

- Available in 316LSS and Alloy C for chemical resistance
- Magnetically driven, eliminating the need for costly mechanical seals
- Patented replaceable housing liner reduces repair costs
- One-piece gear and shaft assembly eliminates common gear failures at the keyway
- Designed for easy maintenance

### Zero Leakage

- Sealless design
- Zero emissions of hazardous or regulated chemicals

### Built for the harshest environments

- Ideal fit for many medium to highly corrosive liquids
- Fully encapsulated magnets
- Superior chemical resistance

### Ease of maintenance

- Front pull-out design
- Quick and easy service
- Piping and electrical stay in place
- Reduced downtime
- KOPkit<sup>®</sup> (Keep on Pumping kit) saves time and money
- Simplified orders and inventory

### Controls

- Pulsafeeder RV Controller: intelligent motor speed

# ECLIPSE® 25 Metallic

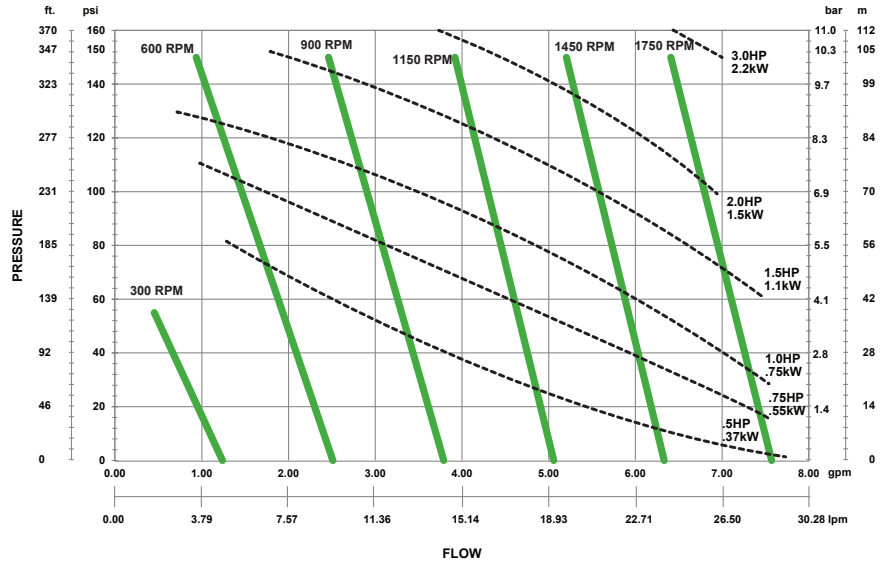
## Specifications

Gear type	External spur gear
Port size & type	3/4" NPT or BSPT
Flange	150# ANSI DIN 20 PN 16
Direction of rotation	Bi-directional
Theoretical displacement	0.479 US gal / 100 Rev
Max differential pressure	150 psi (10.3 bar)
Max allowable working pressure	300 psi (20.7 bar)
Max speed	1750 RPM
Max speed metal / metal gears	1450 RPM
Max flow	7.4 gpm (28 lpm)
Viscosity	100,000 cPs
Max temp	up to 450°F (232°C)
Min temp	-40°F (-40°C)
Bearing type	Sleeve bearing
Magnetic torque rating @ 68°F (20°C)	Neodymium: 219 in/lb Samarium Cobalt: 214 in/lb
Magnetic temp rating	Neodymium: 300°F (149°C) Samarium Cobalt: 450°F (232°C)
Motor frame size	NEMA 56C, 143/5 TC IEC 80, 90 B3/B14
Pump weight	26.5 lbs. (12.0 kg) less motor, approximate
Standards	ATEX, CE

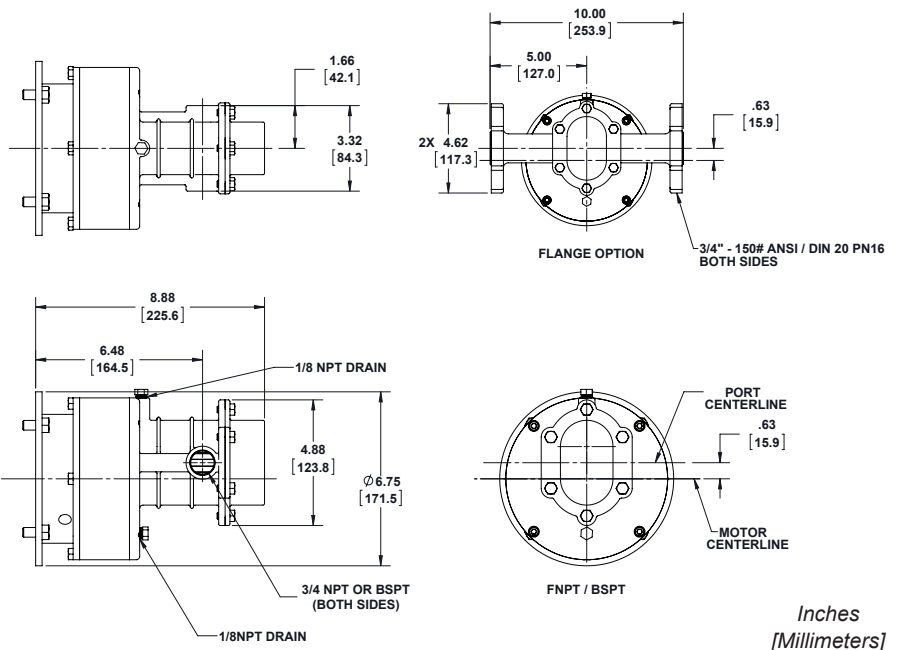
## Materials of Construction

Base material	316LSS, Alloy C
Liner	Carbon Reinforced PTFE
Bearings	Carbon (Graphite), Silicon carbide (Graphite-impregnated), or PTFE
O-rings	PTFE, Kalrez®
Shafts	316LSS, Alloy C, or Alumina Ceramic
Drive gear	316LSS, Alloy C, PEEK, PTFE
Idler gear	316LSS, Alloy C, PEEK, PTFE
Magnet	Neodymium, Samarium Cobalt

## Performance (1 cPs, Specific Gravity 1.0)



## Dimensions



The dimensions shown may differ depending on pump configuration.

**For More Information, Contact Your Authorized Pulsafeeder Engineered Products Distributor**

**Pulsafeeder, Inc.**  
2883 Brighton Henrietta Town Line Rd.  
Rochester, NY 14623  
Phone: +1 (585) 292-8000  
pulsa@idexcorp.com • pulsa.com

Pulsafeeder is an ISO 9001 Certified Company.



**Spec Pulsafeeder.**  
Get more than you expect.