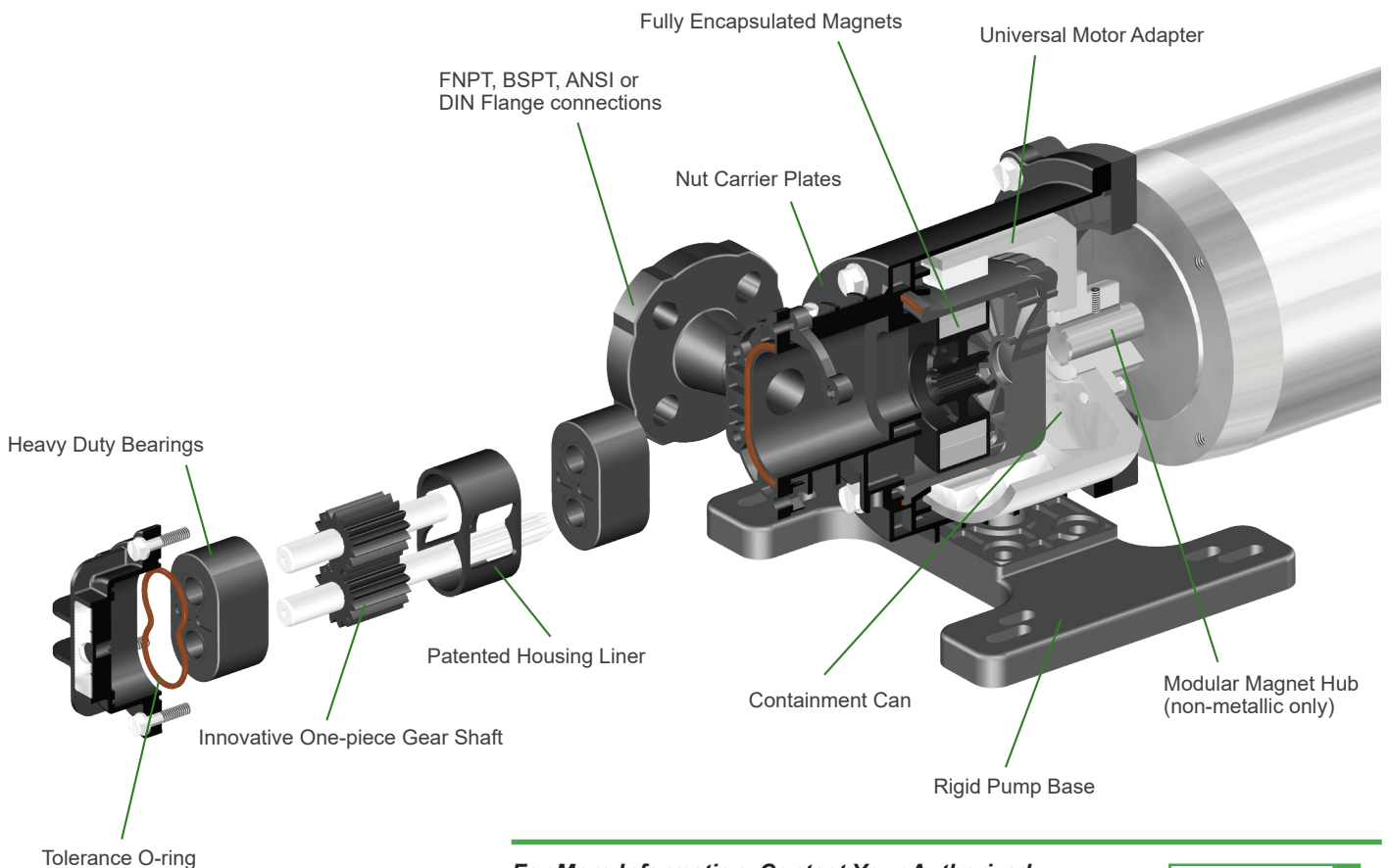


# **PULSAFEEDER**<sup>®</sup> ENGINEERED PRODUCTS

## ECLIPSE<sup>®</sup>

Feature	Value
Your solution	for handling fluids at flows up to 33 gpm (125 lpm) and 150 psi (10 bar) differential pressure.
Cost efficient	compared to centrifugal pumps. Eclipse has a smaller installed footprint and lower required horsepower.
Industrial design	ensures compatibility with the toughest chemicals and trouble-free performance in your most critical applications.
Front pull-out design	reduces pump down-time for repair or scheduled maintenance. All typical wear components can be easily replaced by removing only the front cover. No need to disconnect piping or motor connections.
Sealless design	ensures zero leakage and no emissions of hazardous chemicals.
Materials of construction	satisfy a broad range of highly corrosive and/or toxic services.
Patented housing insert	transfers wear from center housing to the insert. 100% renewable performance with the change of a KOPKit <sup>®</sup> .
Minimal number of parts	allows for easier maintenance, and service of your Eclipse parts and pump.
Ease of inventory	makes this your ideal pump because there are universal components.
Dry run capabilities	because bearings are made from self-lubricating materials.



**For More Information, Contact Your Authorized Pulsafeeder Engineered Products Distributor**

**Pulsafeeder, Inc.**  
2883 Brighton Henrietta Town Line Rd.  
Rochester, NY 14623  
Phone: +1 (585) 292-8000  
pulsa@idexcorp.com • [pulsa.com](http://pulsa.com)

*Pulsafeeder is an ISO 9001 Certified Company.*



**Spec Pulsafeeder.**  
**Get more than you expect.**