

PULSAFEEDER[®] ENGINEERED PRODUCTS

7660

PULSA Series[®]

A work horse that can pump over 1700 gph (6435 lph) and up to 3625 psi (250 bar), the PULSA Series[®] 7660 was designed to provide years of dependable liquid metering. It features rugged, heavy duty construction combined with traditional PULSA Series precision. Like every PULSA Series pump, the 7660 is the result of over 70 years of pump research, development and testing. Our flat diaphragm or unique HYDRAtube[®] head design, along with a variety of wet end materials, offers a diverse range of fluid handling solutions. The PULSA Series 7660 is commonly used for applications in industries such as chemical processing, petrochemical, oil & gas, water & wastewater treatment, and power. It is the value leader in its category.



Applications

corrosion inhibitors, anti-scalants, slurries, disinfection, pH and odor control



Flow

up to 1734 gph (6563 lph)



Pressure

up to 3625 psi (250 bar)



Temperature

up to 180°F (82°C)



API-675 • CE • ATEX



Hydraulic diaphragm metering delivers more than you expect.

Standard materials of construction

- Wet end: 316LSS, GF-PTFE, PVC
- Diaphragm: PTFE
- Pump body: Cast Iron
- Valve ball: 316LSS, Alumina Ceramic
- Valve gaskets: PTFE

Connection types

- NPT
- Raised-face Flange

Controls

- PULSAmatic[®] - stroke length
 - ♦ NEMA Type 4X & Type 7
- VFD - motor speed

Leak detection

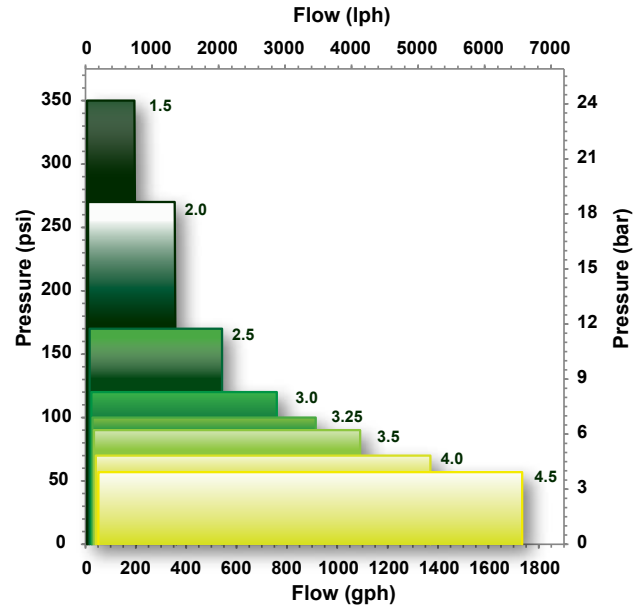
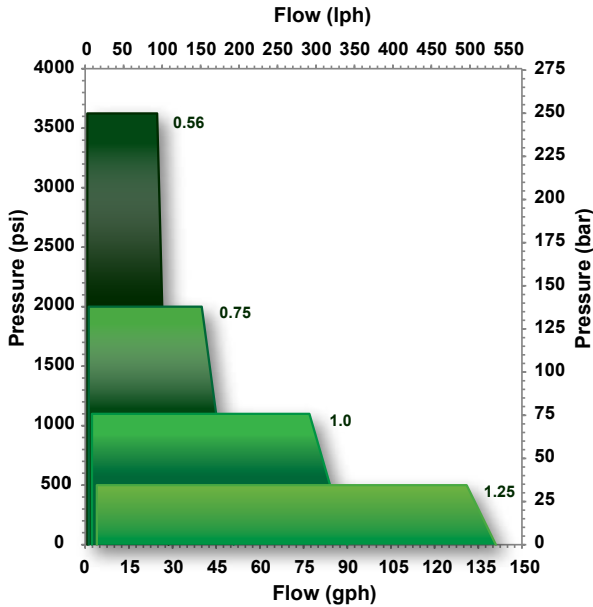
- PULSAAlarm[®]
 - ♦ Pressure based
 - ♦ IP66 NEMA Type 7/4X

Duplex configurations

HYDRAtube[®] design

- The solution for sheer sensitive and high viscosity fluids
- Straight flow-through path
- Double diaphragm safety
- Optional slurry valves
- Robust Ductile Iron housing
- Elastomeric HYDRAtube
- ChemAlarm[®] leak detection

Flow & Pressure Envelope by Piston Size (inches)



Features & Benefits

- Full motion stroke length control yields 0-100% linear flow adjustment over a 10:1 turndown range
- Hydraulically balanced diaphragm for long life and reduced service costs
- Proven hydraulic management system assures consistent performance and rapid recovery from system upsets
- Material options for safety, durability and chemical compatibility
- Sealed drive protects against atmospheric contamination and assures long service life
- Easy maintenance KOPkit® (Keep on Pumping kit) saves time and money

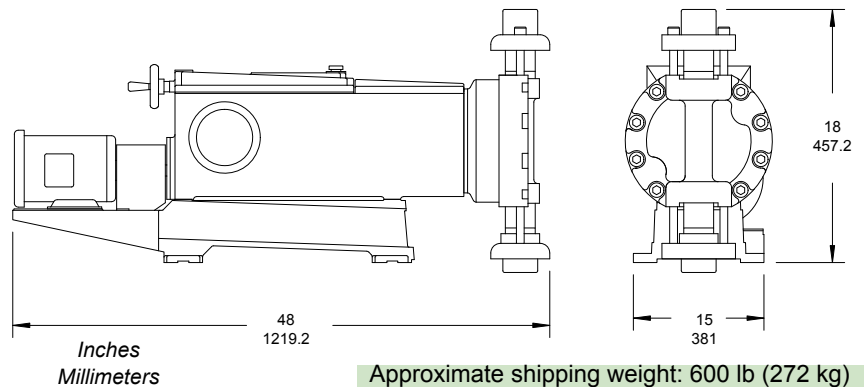
Custom Engineering

- Exotic materials: Alloy C, Alloy 20, Monel, DuplexSS, PVDF
- Extended temperature ranges
 - ♦ From -40°F (-40°C) to 700°F (371°C)
 - ♦ Remote heads and jackets
- Custom electronic controls
- Multiplex configurations
- Pneumatic stroke control
- Extended pressures to 5000 psi / 345 bar
- Degassing valve
- Chemical feed systems
- Application consulting

Specifications

Materials	316LSS, PVC, GF-PTFE	Max temp	180°F (82°C)
Diaphragm type	Flat, Flat LD, Tube	Min temp	40°F (4.4°C)
Motor power	up to 5 hp (4kW)	Accuracy	±1%
Motor frame	NEMA 143T/145T, IEC 80B3	Standards	API-675, CE, ATEX

Dimensions



The dimensions shown may differ depending on pump configuration.

For More Information, Contact Your Authorized Pulsafeeder Engineered Products Representative



Pulsafeeder Engineered Products
 2883 Brighton Henrietta Town Line Rd.
 Rochester, NY 14623
 Phone: +1 (585) 292-8000
 pulsa@idexcorp.com • pulsa.com

Pulsafeeder is an ISO 9001 Certified Company.

© Copyright 2020 Pulsafeeder. All rights reserved.

Spec Pulsafeeder.
Get more than you expect.

IDEX
 FLUID & METERING