

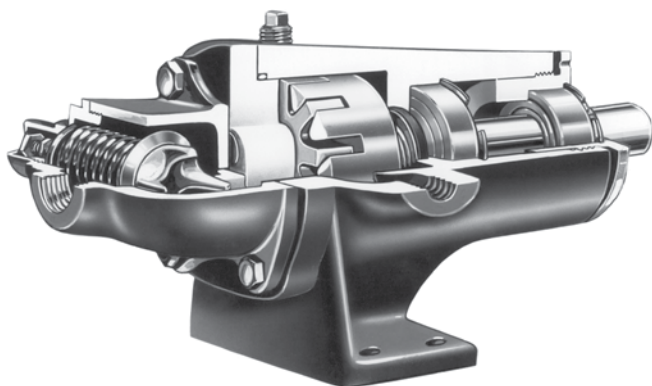
# VIKING® LP-GAS PUMPS

## 4195-G SERIES

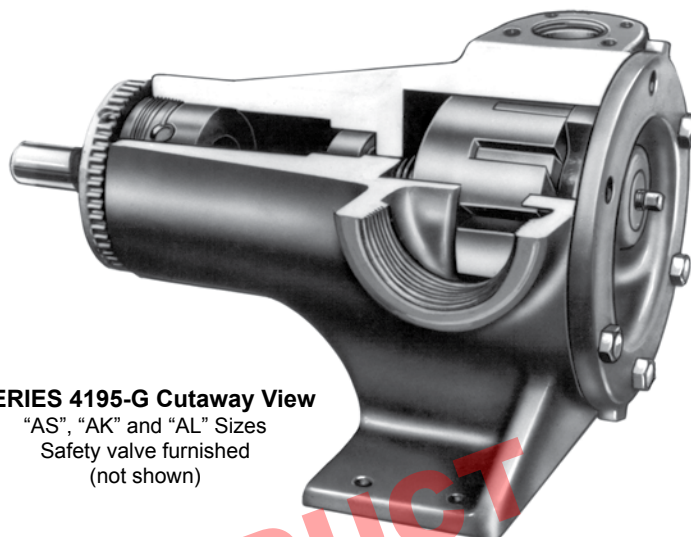


Section	440
Page	440.1
Issue	F

### FEATURES



**SERIES 4195-G Cutaway View**  
"GG", "HJ" and "HL" Sizes



**SERIES 4195-G Cutaway View**  
"AS", "AK" and "AL" Sizes  
Safety valve furnished  
(not shown)

### VIKING 4195-G SERIES PUMP FEATURES



#### AUTOMATIC PRESSURE LUBRICATION

(Standard Equipment)  
("AS", "AK" & "AL" Sizes)

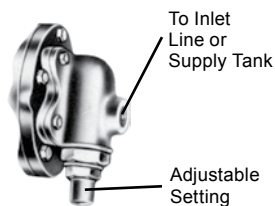
This system provides a constant film of liquid between the idler bushing and idler pin at a pressure equal to the pump discharge pressure regardless of pump rotation.



#### O-RING GASKETS

(Standard Equipment)

O-Ring gaskets are used between casing and head plate and between casing and return-to-tank bypass valve or valve plates on all 4195-G Series pumps. O-Rings provide a positive seal, eliminating a chance for leakage at these points.

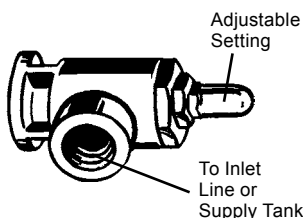


("GG", "HJ" & "HL" Sizes)

#### ADJUSTABLE RETURN-TO-TANK, BYPASS VALVES

(Standard Equipment)

These adjustable return-to-tank bypass valves are used for handling LP-Gas and in many applications where the liquid should be transferred back to a supply tank rather than directly back to the suction side of the pump. Using this return-to-tank bypass valve in place of regular internal relief valve helps keep the temperature of the liquid from rising when the valve is in use. The result is improved pump service with longer life and quieter operation.



("AS", "AK" & "AL" Sizes)

① Maximum Differential Pressure | 100 PSI (7 BAR)

② **GPM 8 - 17 - 25 - 30 - 45 - 65**  
**(m<sup>3</sup>/hr 2 - 4 - 6 - 7 - 10 - 15)**  
(Nominal Rating)

The three small 4195-G Series pumps are ideal for fueling and bottle filling service and the three large size pumps are built for high speed bulk plant transfer service. All sizes feature O-Ring gaskets, dry-liquid type mechanical seals, casing ball bearings and radial thrust ball bearings, integral return-to-tank valves and carry the Underwriter's label.

The three small pumps feature non-lubricated idler bearings and the three large sizes, Viking's exclusive automatic pressure lubrication system. See illustration at left.

These pumps as well as others shown in this section will operate satisfactorily when operated at rated speeds with the following NPSHa (Net Positive Suction Head available) values shown in the table below. They will deliver more capacity and have longer service life if the NPSHa is greater than value shown.

Pump Series	Minimum ③NPSHa (Feet of LP-Gas)
"GG", "HJ", "HL" 4195-G	3
"AS", "AK", "AL" 4195-G	4

① See following pages or consult factory for specific recommendations on individual models or sizes.

② See Performance Curves, which can be electronically generated with the Viking Pump Selector Program, located on [www.vikingpump.com/pumpselector](http://www.vikingpump.com/pumpselector).

③ These figures are NPSHa values; submergence or level of liquid above the suction port of the pump will always be greater than the value shown for NPSHa.

*Metric conversions are based on US measurements and rounded to the nearest whole number.*

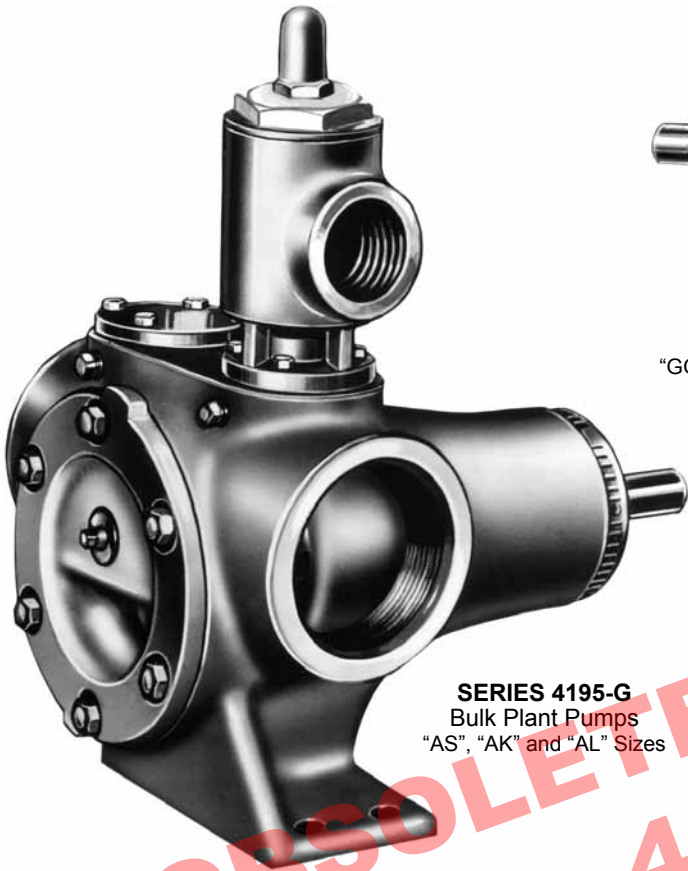
Section	440
Page	440.2
Issue	F

# VIKING® LP-GAS PUMPS

## 4195-G SERIES



### UNMOUNTED PUMPS



**SERIES 4195-G**  
Bulk Plant Pumps  
“AS”, “AK” and “AL” Sizes



**SERIES 4195-G**  
Fueling Pumps  
“GG”, “HJ” and “HL” Sizes

As illustrated above, the three small series 4195-G pumps are built for LP-Gas bottle filling or fueling of tractors, cars, trucks, taxi-cabs or busses from central storage tanks.

The three larger 4195-G Series pumps enable you to step up bulk plant transfer of LP-Gas. All can be direct connected to 1200 RPM motors.

Viking LP-Gas pumps are built for intermittent transfer services and not for continuous duty or suction pressures above ambient temperature vapor pressures.

*Dimensions for Unmounted Pumps — See Page 440.8.*

### CONSTRUCTION — 4195-G SERIES (“GG” THROUGH “AL” SIZES)

Standard Construction Models	Casing	Head	Rotor	Idler	Rotor Shaft and Idler Pin	Idler Bushing	Return-to-tank Relief Valve
GG4195-G HJ4195-G	Iron	Iron	Iron	② Iron VIKOTED	Steel	Carbon Graphite	Iron
HL4195-G	Iron	Iron	Ductile Iron	Iron VIKOTED	Steel	Carbon Graphite	Iron
AS4195-G AK4195-G AL4195-G	Ductile Iron	Iron Internal Lubrication	Ductile Iron	Ductile Iron	Steel Internal Lubrication	Carbon Graphite	Iron

### SPECIFICATIONS — UNMOUNTED PUMPS

Model Number	③ Port Size	Nominal Pump Rating		Motor Horsepower Required At Rated Speed			Maximum Recommended Differential Pressure PSI (BAR)	Approximate Shipping Weight With Valve Pounds (KG)
	Inches	GPM (m³/hr)	RPM	50 PSI (3 BAR)	75 PSI (5 BAR)	100 PSI (7 BAR)		
GG4195-G	1	8 (2)	1800	½	¾	1	100 (7)	17 (8)
HJ4195-G	1½	17 (4)	1800	1	1½	2	100 (7)	36 (16)
HL4195-G	1½	25 (6)	1800	1½	2	3	100 (7)	36 (16)
AS4195-G	2½	30 (7)	1200	2	3	5	100 (7)	80 (36)
AK4195-G	2½	45 (10)	1200	3	5	5	100 (7)	80 (36)
AL4195-G	3	65 (15)	1200	3	5	7½	100 (7)	80 (36)

① Buna N elastomer used in mechanical seal of 4195-G Series pumps.  
 ② “GG” size has steel idler.  
 ③ Suction piping recommended one size larger than pump port.

④ To maintain compliance to UL test specifications, any repairs must be completed at the factory. The pump is then re-tested and re-certified for the UL listing.

*Metric conversions are based on US measurements and rounded to the nearest whole number.*

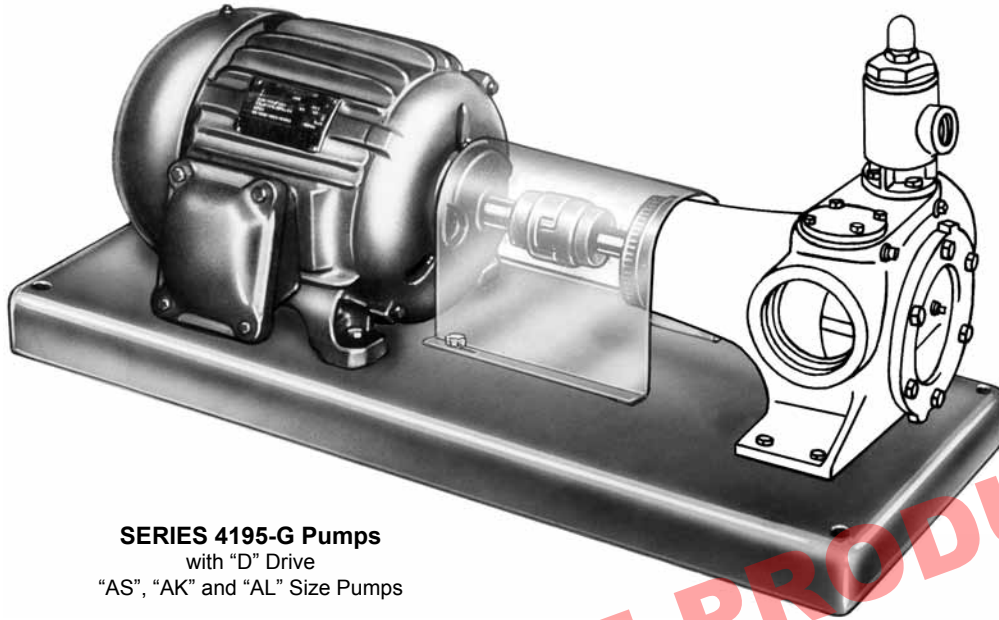
# VIKING® LP-GAS PUMPS

## 4195-G SERIES

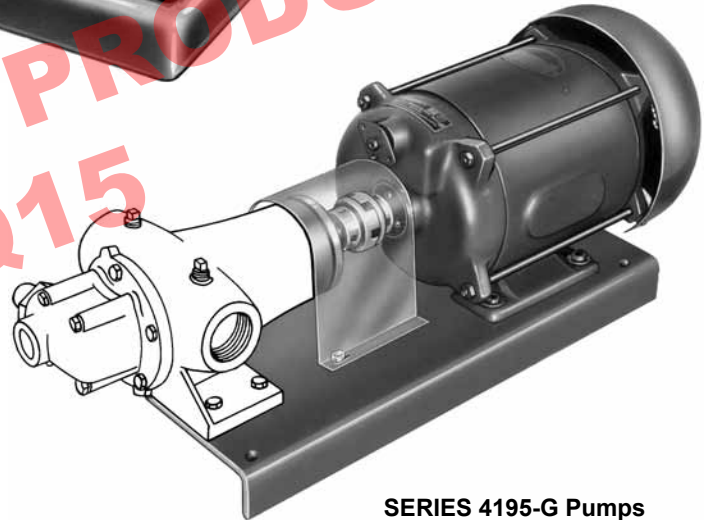


Section	440
Page	440.3
Issue	F

### DIRECT DRIVE UNITS (“D” DRIVE)



**SERIES 4195-G Pumps**  
with “D” Drive  
“AS”, “AK” and “AL” Size Pumps



**SERIES 4195-G Pumps**  
with “D” Drive  
“GG”, “HJ” and “HL” Size Pumps

All six sizes of Series 4195D-G direct connected units from “GG” to “AL” sizes are mounted on formed steel bases with the pumps connected to 1200 or 1800 RPM motors through flexible couplings with guards. The three small units are ideal for fueling and the three large units for bulk plant transfer. All units are built for intermittent service and not for continuous duty. Viking bulk plant transfer pumps are not built for top unloading of railroad tank cars. Compressors are recommended for this use.

Dimensions for “D” Drive Units — See Page 440.9.

### SPECIFICATIONS — “D” DRIVE UNITS

Model Number	① Port Size	Nominal Pump Rating		Motor Horsepower Required At Rated Speed			Maximum Recommended Differential Pressure PSI (BAR)	Approximate Shipping Weight With Valve (Less Power) Pounds (KG)
	Inches	GPM (m <sup>3</sup> /hr)	RPM	50 PSI (3 BAR)	75 PSI (5 BAR)	100 PSI (7 BAR)		
GG4195D-G	1	8 (2)	1800	½	¾	1	100 (7)	42 (19)
HJ4195D-G	1½	17 (4)	1800	1	1½	2	100 (7)	65 (30)
HL4195D-G	1½	25 (6)	1800	1½	2	3	100 (7)	90 (41)
AS4195D-G	2½	30 (7)	1200	2	3	5	100 (7)	205 (93)
AK4195D-G	2½	45 (10)	1200	3	5	5	100 (7)	205 (93)
AL4195D-G	3	65 (15)	1200	3	5	7½	100 (7)	210 (95)

① Suction piping recommended one size larger than pump port.

Metric conversions are based on US measurements and rounded to the nearest whole number.

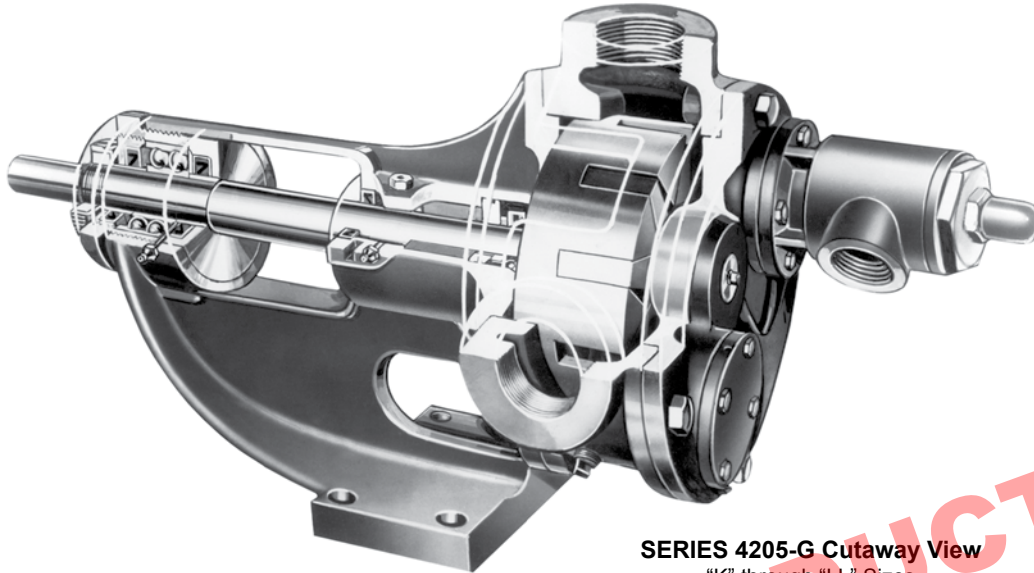
Section	440
Page	440.4
Issue	F

# VIKING® LP-GAS PUMPS

## 4205-G SERIES



### FEATURES



**SERIES 4205-G Cutaway View**  
"K" through "LL" Sizes

### VIKING 4205-G SERIES PUMP FEATURES



#### AUTOMATIC PRESSURE LUBRICATION

(Standard Equipment)

This lubrication system provides a constant film of liquid between the idler bushing and idler pin at a pressure equal to the pump discharge pressure, regardless of pump rotation.



#### MECHANICAL SEAL

(Standard Equipment)

All Viking 4205-G Series LP-Gas pumps are furnished with Single Mechanical Seals. This seal is a simple, self adjusting, non-leak method of shaft sealing. It is especially desirable in handling liquids of a hazardous nature.

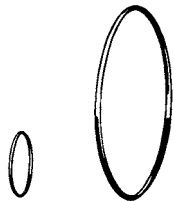
① Maximum Differential Pressure

100 PSI (7 BAR)

② **GPM 30 - 40 - 75 - 95**  
**(m<sup>3</sup>/hr 7 - 9 - 17 - 22)**  
(Nominal Rating)

All Viking 4205-G Series pumps are specifically designed for intermittent LP-gas service and are ideal for mounting on trucks and for bulk plant transfer service.

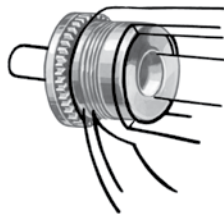
These pumps as well as others shown in this section will operate satisfactorily when operated at rated speeds with the following NPSHa (Net Positive Suction Head available) values shown in the table below. They will deliver more capacity and have longer service life if the NPSHa is greater than value shown.



#### O-RING GASKETS

(Standard Equipment)

O-Ring gaskets are used between all assembled faces on the back flange, head and valve as assurance against leakage, since they provide a positive seal.



#### INTEGRAL THRUST BEARING

(Standard Equipment)

An outstanding feature of the Series 4205-G pump is the integral thrust bearing shown above. By means of a simple adjustment, a close end fit is maintained for peak pumping performance.

Pump Series	Minimum ③NPSHa (Feet of LP-Gas)
4205-G	2

① See following pages or consult factory for specific recommendations on individual models or sizes.

② See Performance Curves, which can be electronically generated with the Viking Pump Selector Program, located on [www.vikingpump.com/pumpselector](http://www.vikingpump.com/pumpselector).

③ This figure is NPSHa value; submergence or level of liquid above the suction port of the pump will always be greater than the value shown for NPSHa.

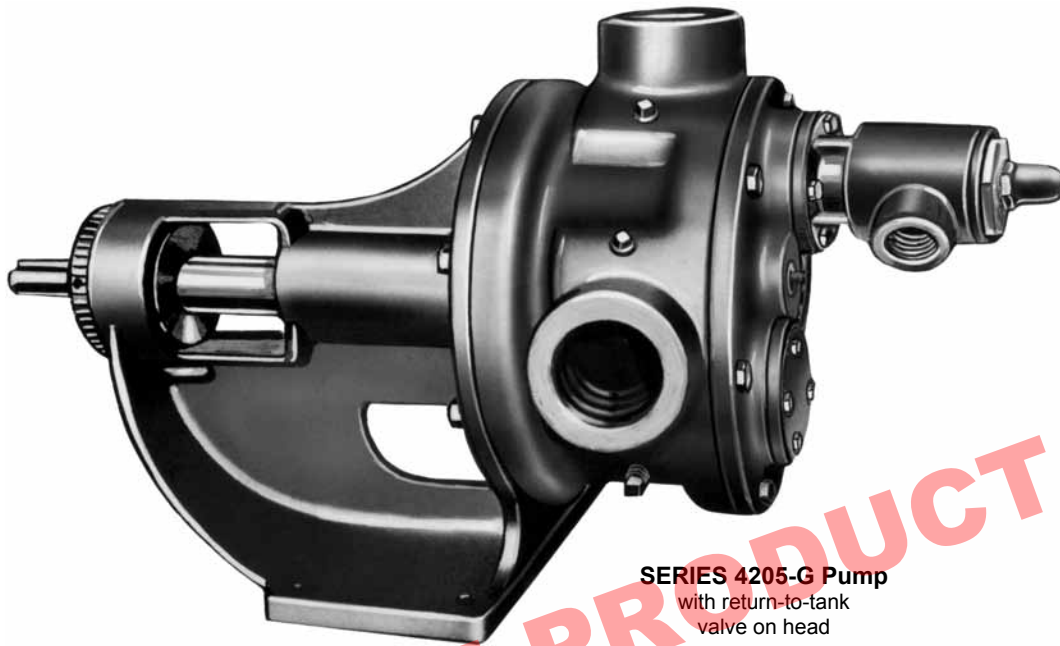
Metric conversions are based on US measurements and rounded to the nearest whole number.

# VIKING® LP-GAS PUMPS 4205-G SERIES



Section	440
Page	440.5
Issue	F

## UNMOUNTED PUMPS



**SERIES 4205-G Pump**  
with return-to-tank  
valve on head

The series 4205-G above illustrates the basic pump construction for LP-Gas Truck Pumps and Units (“R” and “V” Drives.) The pumps are equipped with return-to-tank bypass valves on heads, or on request, internal relief valves can be substituted for the return-to-tank valves (see Section 630, Page 630.2) Simple, dependable mechanical seals, leak-proof O-Ring gaskets, internal pressure lubrication system, integral thrust bearings

and revolable casings for easy and complete selection of port locations to suit your piping, are standard equipment. The pumps come equipped with carbon graphite idler bearings and bronze bracket bearings. See construction table below.

*Dimensions for Unmounted Pumps — See Page 440.10.*

### CONSTRUCTION — 4205-G SERIES (K THROUGH LL SIZES)

Pump Construction	Casing	Head	Bracket	Rotor	Idler	Rotor Shaft and Idler Pin	Bushings		Return-to-tank Relief Valve
							Idler	Bracket	
Standard Construction	Ductile Iron	Iron	Iron	Iron	Iron	Steel	Carbon Graphite	Bronze	Iron

### SPECIFICATIONS — UNMOUNTED PUMPS

Model Number	Port Size	Nominal Pump Rating		Motor Horsepower Required At Rated Speed			Maximum Recommended Differential Pressure PSI (BAR)	Approximate Shipping Weight With Valve Pounds (KG)
	Inches	GPM (m <sup>3</sup> /hr)	RPM	50 PSI (3 BAR)	75 PSI (5 BAR)	100 PSI (7 BAR)		
K4205-G	2	30 (7)	420	3	5	5	100 (7)	105 (48)
KK4205-G	2	40 (9)	420	3	5	7½	100 (7)	110 (50)
L4205-G	3	75 (17)	420	5	7½	10	100 (7)	155 (70)
LQ4205-G	③ 3	75 (17)	420	5	7½	10	100 (7)	185 (84)
LL4205-G	③ 3	95 (22)	420	5	7½	10	100 (7)	200 (91)

① Buna N elastomer used in mechanical seal of 4205-G Series pumps.  
 ② Suction piping recommended one size larger than pump port.  
 ③ Flanged ports; pumps furnished with threaded companion flanges. All other models

tapped for standard pipe.  
 ④ To maintain compliance to UL test specifications, any repairs must be completed at the factory. The pump is then re-tested and re-certified for the UL listing.

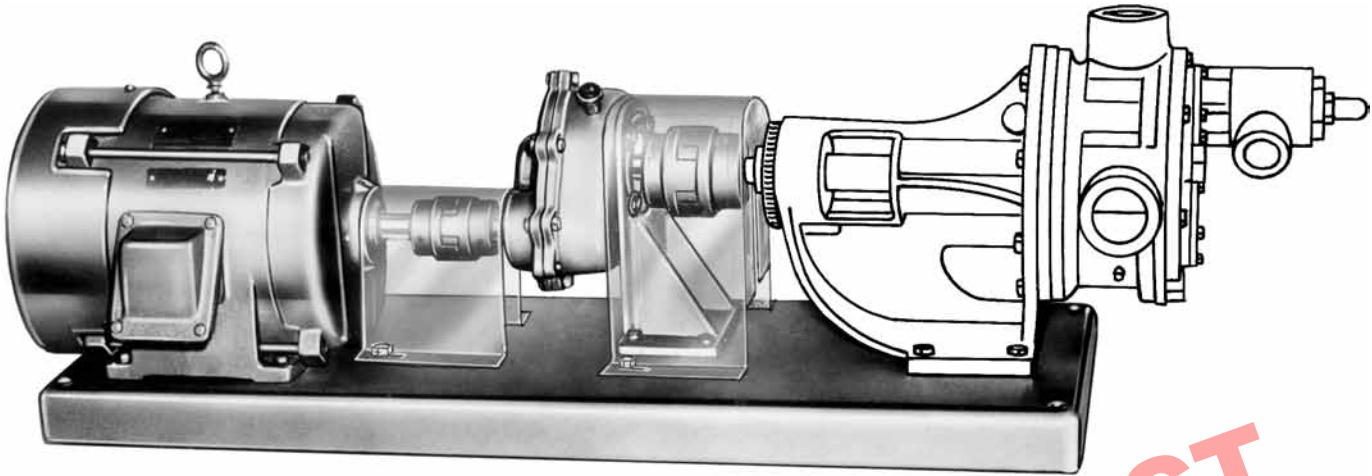
*Metric conversions are based on US measurements and rounded to the nearest whole number.*

Section	440
Page	440.6
Issue	F

# VIKING® LP-GAS PUMPS 4205-G SERIES



## VIKING HELICAL GEAR REDUCTION UNITS (“R” DRIVE)



**SERIES 4205-G Pump**  
with “R” Drive  
“KK” through “LL” Size Pumps

Viking helical gear reducer units for LP-Gas are available in the capacity range to 127 GPM. They are specifically designed for compactness and quietness of operation.

These units feature eight gear ratios interchangeable in the same reducer, providing a wide range in speeds and capacities. Refer to section 610, page 610.3 for the full range of ratios available. The pump, motor or reducer can be removed without disturbing other components.

The units are equipped with: standard flexible couplings, between motor and reducer as well as reducer and pump; oil and weather tight reducer for outdoor service; an easily adjustable reducer to various motor heights; and a completely enclosed, formed steel base.

*Dimensions for “R” Drive Units — See Page 440.10.*

### HELICAL REDUCER SPECIFICATIONS AND PUMP CAPACITY TABLE

Motor RPM	Reducer Ratio	Maximum Reducer HP	Pump RPM	PUMP MODELS AND CAPACITY G.P.M. WITH SIZE “B” REDUCER									
				K4205R-G		KK4205R-G		L4205R-G		LQ4205R-G		LL4205R-G	
				50 PSI (3 BAR)	100 PSI (7 BAR)	50 PSI (3 BAR)	100 PSI (7 BAR)	50 PSI (3 BAR)	100 PSI (7 BAR)	50 PSI (3 BAR)	100 PSI (7 BAR)	50 PSI (3 BAR)	100 PSI (7 BAR)
1800	2.76 to 1	15	640	55	46	64	56	127	113	127	113	-----	-----
	3.40 to 1	10	520	42	33	52	41	98	84	98	84	127	108
	4.19 to 1	10	420	31	22	38	28	75	61	75	61	97	78

### SPECIFICATIONS — “R” DRIVE UNITS

Model Number	① Port Size	Nominal Pump Rating		Motor Horsepower Required At Rated Speed			Maximum Recommended Differential Pressure PSI (BAR)	Approximate Shipping Weight With Valve (Less Power) Pounds (KG)
	Inches	GPM (m³/hr)	RPM	50 PSI (3 BAR)	75 PSI (5 BAR)	100 PSI (7 BAR)		
K4205R-G	2	30 (7)	420	3	5	5	100 (7)	325 (148)
KK4205R-G	2	40 (9)	420	3	5	7½	100 (7)	330 (150)
L4205R-G	3	75 (17)	420	5	7½	10	100 (7)	370 (168)
LQ4205R-G	⊙ 3	75 (17)	420	5	7½	10	100 (7)	415 (188)
LL4205R-G	⊙ 3	95 (22)	420	5	7½	10	100 (7)	450 (204)

① Suction piping recommended one size larger than pump port.

⊙ Flanged ports; pumps furnished with threaded companion flanges. All other models tapped for standard pipe.

Metric conversions are based on US measurements and rounded to the nearest whole number.

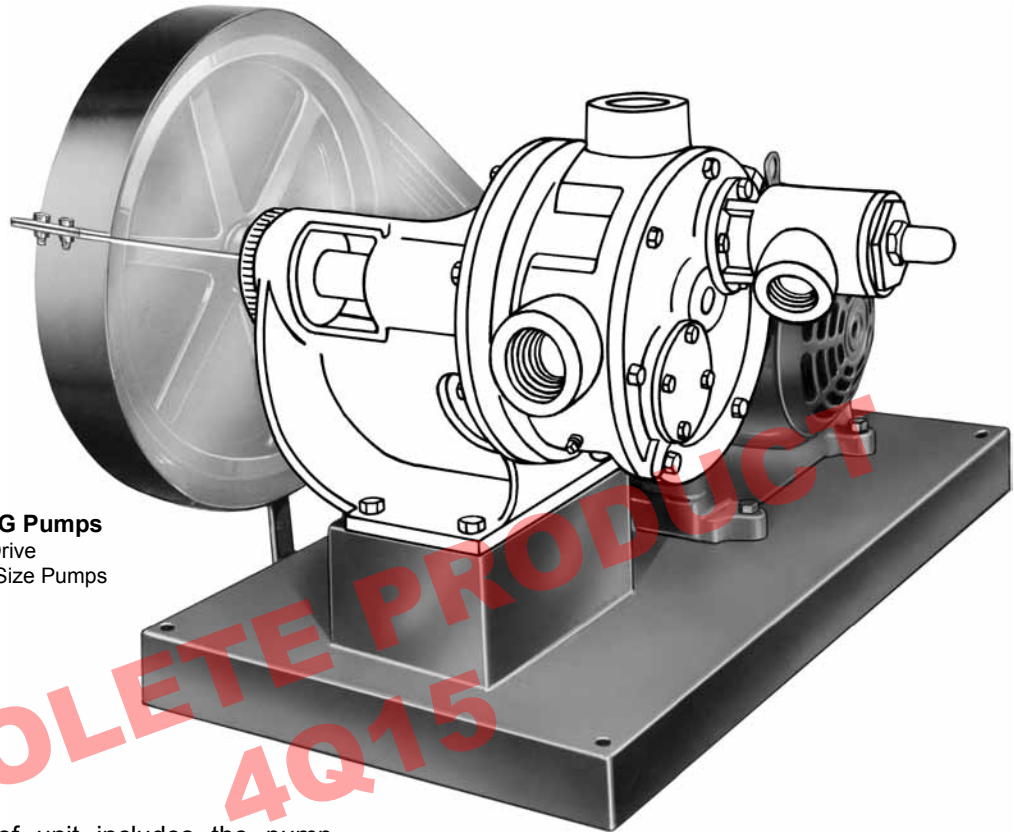
# VIKING® LP-GAS PUMPS

## 4205-G SERIES



Section	440
Page	440.7
Issue	F

### V-BELT DRIVE UNITS (“V” DRIVE)



**SERIES 4205-G Pumps**  
with “V” Drive  
“K” through “LL” Size Pumps

The V-belt drive type of unit includes the pump mounted on base ready to accept an explosion proof motor. The drive is enclosed in a totally enclosed guard and incorporates static free belts running in grooved sheaves. Slide rail base and motor furnished extra.

Drive mounts directly on to pump shaft as shown in illustration.

Dimensions for “V” Drive Units — See Page 440.11.

### SPECIFICATIONS — “V” DRIVE UNITS

Model Number	① Port Size	Nominal Pump Rating		Motor Horsepower Required At Rated Speed			Maximum Recommended Differential Pressure PSI (BAR)	Approximate Shipping Weight With Valve (Less Power) Pounds (KG)
	Inches	GPM (m <sup>3</sup> /hr)	RPM	50 PSI (3 BAR)	75 PSI (5 BAR)	100 PSI (7 BAR)		
K4205V-G	2	30 (7)	420	3	5	5	100 (7)	255 (116)
KK4205V-G	2	40 (9)	420	3	5	7½	100 (7)	260 (118)
L4205V-G	3	75 (17)	420	5	7½	10	100 (7)	300 (136)
LQ4205V-G	② 3	75 (17)	420	5	7½	10	100 (7)	370 (168)
LL4205V-G	② 3	95 (22)	420	5	7½	10	100 (7)	385 (175)

① Suction piping recommended one size larger than pump port.

② Flanged ports; pumps furnished with threaded companion flanges. All other models tapped for standard pipe.

Metric conversions are based on US measurements and rounded to the nearest whole number.

Section	440
Page	440.8
Issue	F

# VIKING® LP-GAS PUMPS

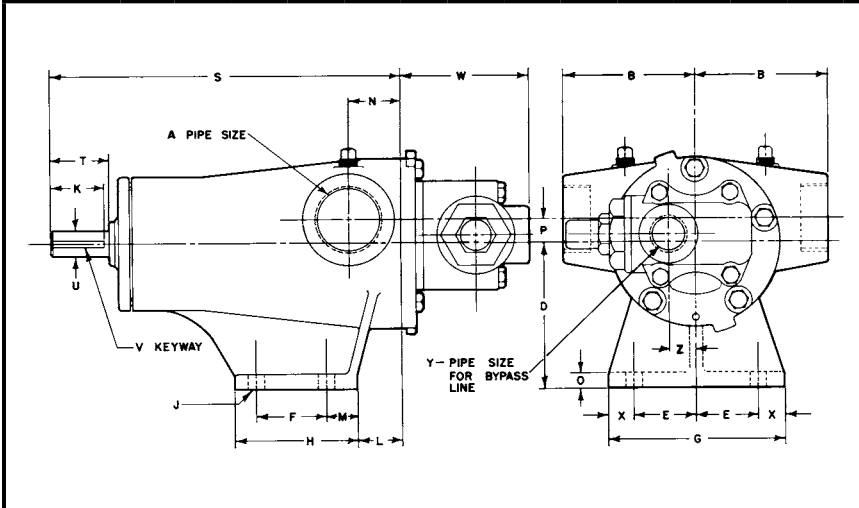
## 4195-G SERIES



### DIMENSIONS

These dimensions are average and not for construction purposes. Certified prints on request.

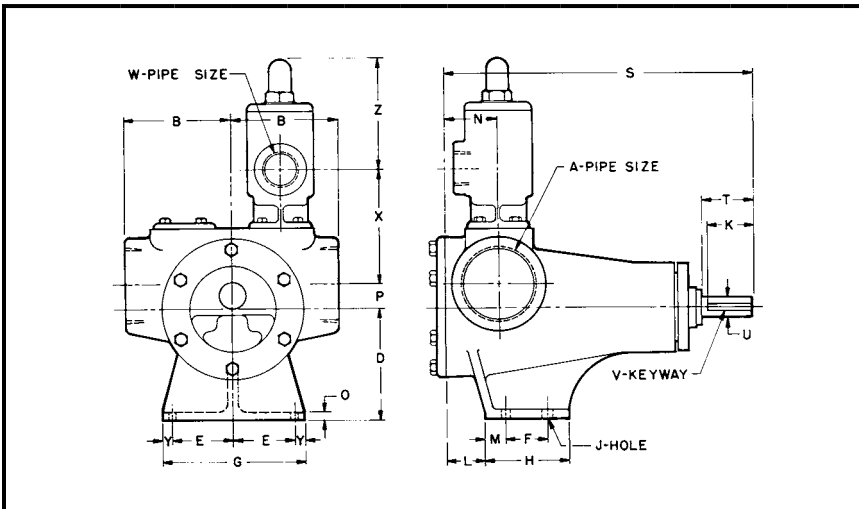
For specifications, see pages 440.1 and 440.2



### DIMENSIONS – 4195-G SERIES “GG” - “HL” SIZE

MODEL NO.	A	B	D	E	F	G	H	J	K	L	M	N	O	P	S	T	U	V	W	X	Y	Z
GG4195-G	1	2 <sup>3</sup> / <sub>4</sub>	2 <sup>3</sup> / <sub>4</sub>	1 <sup>5</sup> / <sub>8</sub>	1 <sup>5</sup> / <sub>16</sub>	4	2 <sup>7</sup> / <sub>16</sub>	1 <sup>1</sup> / <sub>32</sub>	1	1 <sup>1</sup> / <sub>32</sub>	1 <sup>1</sup> / <sub>16</sub>	1 <sup>1</sup> / <sub>8</sub>	5 <sup>1</sup> / <sub>16</sub>	5 <sup>5</sup> / <sub>8</sub>	7 <sup>5</sup> / <sub>16</sub>	1 <sup>1</sup> / <sub>8</sub>	1 <sup>1</sup> / <sub>2</sub>	FLAT	2 <sup>15</sup> / <sub>16</sub>	3 <sup>3</sup> / <sub>8</sub>	1 <sup>1</sup> / <sub>2</sub>	9 <sup>1</sup> / <sub>16</sub>
HJ4195-G	1 <sup>1</sup> / <sub>2</sub>	3 <sup>3</sup> / <sub>4</sub>	4 <sup>1</sup> / <sub>8</sub>	1 <sup>3</sup> / <sub>4</sub>	2	5	3 <sup>1</sup> / <sub>2</sub>	1 <sup>3</sup> / <sub>32</sub>	1 <sup>1</sup> / <sub>2</sub>	1 <sup>1</sup> / <sub>4</sub>	7 <sup>1</sup> / <sub>8</sub>	1 <sup>1</sup> / <sub>2</sub>	7 <sup>1</sup> / <sub>16</sub>	5 <sup>5</sup> / <sub>8</sub>	10	1 <sup>5</sup> / <sub>8</sub>	3 <sup>3</sup> / <sub>4</sub>	3 <sup>1</sup> / <sub>16</sub> x 3 <sup>3</sup> / <sub>32</sub>	3 <sup>3</sup> / <sub>4</sub>	3 <sup>3</sup> / <sub>4</sub>	3 <sup>3</sup> / <sub>4</sub>	3 <sup>3</sup> / <sub>4</sub>
HL4195-G	1 <sup>1</sup> / <sub>2</sub>	3 <sup>3</sup> / <sub>4</sub>	4 <sup>1</sup> / <sub>8</sub>	1 <sup>3</sup> / <sub>4</sub>	2	5	3 <sup>1</sup> / <sub>2</sub>	1 <sup>3</sup> / <sub>32</sub>	1 <sup>1</sup> / <sub>2</sub>	1 <sup>1</sup> / <sub>4</sub>	7 <sup>1</sup> / <sub>8</sub>	1 <sup>1</sup> / <sub>2</sub>	7 <sup>1</sup> / <sub>16</sub>	5 <sup>5</sup> / <sub>8</sub>	10	1 <sup>5</sup> / <sub>8</sub>	3 <sup>3</sup> / <sub>4</sub>	3 <sup>1</sup> / <sub>16</sub> x 3 <sup>3</sup> / <sub>32</sub>	3 <sup>3</sup> / <sub>4</sub>	3 <sup>3</sup> / <sub>4</sub>	3 <sup>3</sup> / <sub>4</sub>	3 <sup>3</sup> / <sub>4</sub>

OBSOLETE PRODUCT 4Q15



For specifications, see page 440.2.

### DIMENSIONS – 4195-G SERIES “AS” - “AL” SIZE

MODEL NO.	A	B	D	E	F	G	H	J	K	L	M	N	O	P	S	T	U	V	W	X	Y	Z
AS4195-G	2 <sup>1</sup> / <sub>2</sub>	5	5 <sup>1</sup> / <sub>4</sub>	2 <sup>7</sup> / <sub>8</sub>	2	6 <sup>3</sup> / <sub>4</sub>	4	1 <sup>3</sup> / <sub>32</sub>	2 <sup>1</sup> / <sub>4</sub>	1 <sup>1</sup> / <sub>4</sub>	1	2	7 <sup>1</sup> / <sub>16</sub>	1 <sup>1</sup> / <sub>8</sub>	14 <sup>1</sup> / <sub>8</sub>	2 <sup>3</sup> / <sub>8</sub>	1	1 <sup>1</sup> / <sub>4</sub> x 1 <sup>1</sup> / <sub>8</sub>	1 <sup>1</sup> / <sub>4</sub>	5 <sup>7</sup> / <sub>16</sub>	1 <sup>1</sup> / <sub>2</sub>	5 <sup>9</sup> / <sub>32</sub>
AK4195-G	2 <sup>1</sup> / <sub>2</sub>	5	5 <sup>1</sup> / <sub>4</sub>	2 <sup>7</sup> / <sub>8</sub>	2	6 <sup>3</sup> / <sub>4</sub>	4	1 <sup>3</sup> / <sub>32</sub>	2 <sup>1</sup> / <sub>4</sub>	1 <sup>1</sup> / <sub>4</sub>	1	2	7 <sup>1</sup> / <sub>16</sub>	1 <sup>1</sup> / <sub>8</sub>	14 <sup>1</sup> / <sub>8</sub>	2 <sup>3</sup> / <sub>8</sub>	1	1 <sup>1</sup> / <sub>4</sub> x 1 <sup>1</sup> / <sub>8</sub>	1 <sup>1</sup> / <sub>4</sub>	5 <sup>7</sup> / <sub>16</sub>	1 <sup>1</sup> / <sub>2</sub>	5 <sup>9</sup> / <sub>32</sub>
AL4195-G	3	5	5 <sup>1</sup> / <sub>4</sub>	2 <sup>7</sup> / <sub>8</sub>	2	6 <sup>3</sup> / <sub>4</sub>	4	1 <sup>3</sup> / <sub>32</sub>	2 <sup>1</sup> / <sub>4</sub>	1 <sup>3</sup> / <sub>4</sub>	1	2 <sup>1</sup> / <sub>2</sub>	7 <sup>1</sup> / <sub>16</sub>	1 <sup>1</sup> / <sub>8</sub>	14 <sup>5</sup> / <sub>8</sub>	2 <sup>3</sup> / <sub>8</sub>	1	1 <sup>1</sup> / <sub>4</sub> x 1 <sup>1</sup> / <sub>8</sub>	1 <sup>1</sup> / <sub>4</sub>	5 <sup>7</sup> / <sub>16</sub>	1 <sup>1</sup> / <sub>2</sub>	5 <sup>9</sup> / <sub>32</sub>



# VIKING® LP-GAS PUMPS

## 4195-G SERIES



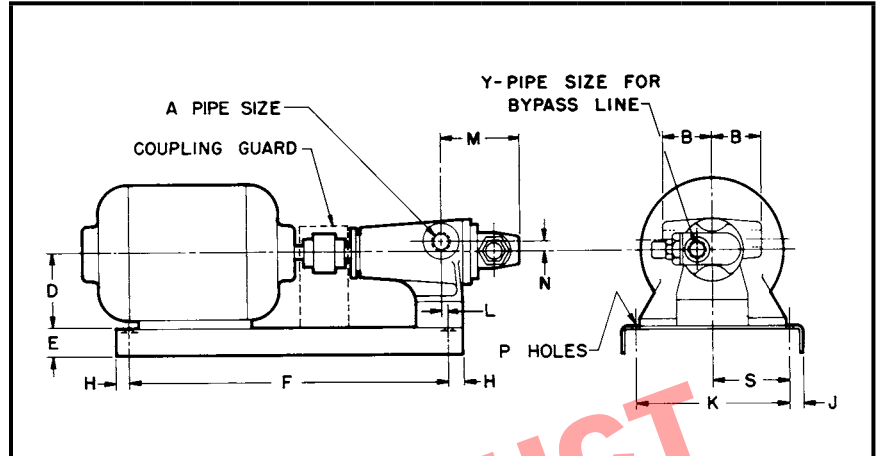
Section	440
Page	440.9
Issue	F

### DIMENSIONS

These dimensions are average and not for construction purposes. Certified prints on request.

For specifications, see page 440.3.

### DIMENSIONS — 4195-G SERIES ("D" DRIVE) "GG" - "HL" SIZE

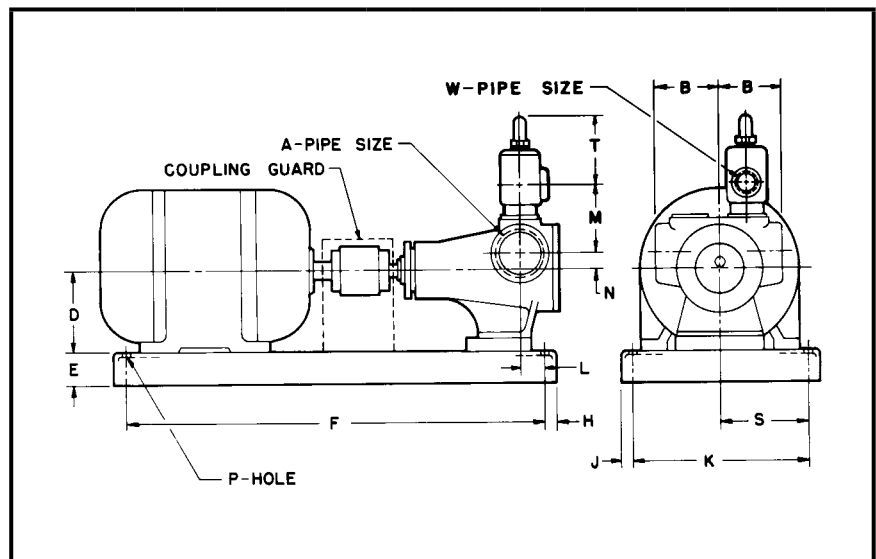


MODEL NO.	A	B	D	E	F	H	J	K	L	M	N	P	S	Y
GG4195D-G	1	2 <sup>3</sup> / <sub>4</sub>	① 3 <sup>1</sup> / <sub>2</sub>	1 <sup>1</sup> / <sub>2</sub>	17 <sup>1</sup> / <sub>2</sub>	<sup>3</sup> / <sub>4</sub>	<sup>3</sup> / <sub>4</sub>	8 <sup>1</sup> / <sub>2</sub>	<sup>3</sup> / <sub>8</sub>	4 <sup>1</sup> / <sub>16</sub>	<sup>5</sup> / <sub>8</sub>	<sup>1</sup> / <sub>2</sub>	4 <sup>1</sup> / <sub>4</sub>	<sup>1</sup> / <sub>2</sub>
	1	2 <sup>3</sup> / <sub>4</sub>	② 3 <sup>1</sup> / <sub>2</sub>	1 <sup>1</sup> / <sub>2</sub>	20 <sup>1</sup> / <sub>2</sub>	<sup>3</sup> / <sub>4</sub>	<sup>3</sup> / <sub>4</sub>	8 <sup>1</sup> / <sub>2</sub>	<sup>3</sup> / <sub>8</sub>	4 <sup>1</sup> / <sub>16</sub>	<sup>5</sup> / <sub>8</sub>	<sup>1</sup> / <sub>2</sub>	4 <sup>1</sup> / <sub>4</sub>	<sup>1</sup> / <sub>2</sub>
HJ4195D-G	1 <sup>1</sup> / <sub>2</sub>	3 <sup>3</sup> / <sub>4</sub>	③ 3 <sup>1</sup> / <sub>2</sub>	⑥ 2 <sup>1</sup> / <sub>8</sub>	20 <sup>1</sup> / <sub>2</sub>	<sup>3</sup> / <sub>4</sub>	<sup>3</sup> / <sub>4</sub>	8 <sup>1</sup> / <sub>2</sub>	0	5 <sup>1</sup> / <sub>4</sub>	<sup>5</sup> / <sub>8</sub>	<sup>1</sup> / <sub>2</sub>	4 <sup>1</sup> / <sub>4</sub>	<sup>3</sup> / <sub>4</sub>
HL4195D-G	1 <sup>1</sup> / <sub>2</sub>	3 <sup>3</sup> / <sub>4</sub>	④ 4 <sup>1</sup> / <sub>2</sub>	2 <sup>15</sup> / <sub>16</sub>	25	1	1 <sup>1</sup> / <sub>2</sub>	9	<sup>1</sup> / <sub>4</sub>	5 <sup>1</sup> / <sub>4</sub>	<sup>5</sup> / <sub>8</sub>	<sup>9</sup> / <sub>16</sub>	4 <sup>1</sup> / <sub>2</sub>	<sup>3</sup> / <sub>4</sub>
	1 <sup>1</sup> / <sub>2</sub>	3 <sup>3</sup> / <sub>4</sub>	⑤ 5 <sup>1</sup> / <sub>4</sub>	2 <sup>15</sup> / <sub>16</sub>	25	1	1 <sup>1</sup> / <sub>2</sub>	9	<sup>1</sup> / <sub>4</sub>	5 <sup>1</sup> / <sub>4</sub>	<sup>5</sup> / <sub>8</sub>	<sup>9</sup> / <sub>16</sub>	4 <sup>1</sup> / <sub>2</sub>	<sup>3</sup> / <sub>4</sub>

- ① 56 frame motors (short base).
- ② 143-T and 145-T frame motors (long base).
- ③ 56, 143-T and 145-T frame motors.
- ④ 182-T and 184-T frame motors.
- ⑤ 213-T and 215-T frame motors.
- ⑥ Dimension includes motor block, base height is 1<sup>1</sup>/<sub>2</sub>".

For specifications, see page 440.3.

### DIMENSIONS — 4195-G SERIES ("D" DRIVE) "AS" - "AL" SIZE



MODEL NO.	A	B	D	E	F	H	J	K	L	M	N	P	S	T	W
AS4195D-G	2 <sup>1</sup> / <sub>2</sub>	5	① 4 <sup>1</sup> / <sub>2</sub>	④ 3 <sup>11</sup> / <sub>16</sub>	26	1	1 <sup>1</sup> / <sub>2</sub>	9	0	5 <sup>7</sup> / <sub>16</sub>	1 <sup>1</sup> / <sub>8</sub>	<sup>9</sup> / <sub>16</sub>	4 <sup>1</sup> / <sub>2</sub>	5 <sup>9</sup> / <sub>32</sub>	1 <sup>1</sup> / <sub>4</sub>
AK4195D-G	2 <sup>1</sup> / <sub>2</sub>	5	② 5 <sup>1</sup> / <sub>4</sub>	2 <sup>15</sup> / <sub>16</sub>	29	1	1 <sup>1</sup> / <sub>2</sub>	9	0	5 <sup>7</sup> / <sub>16</sub>	1 <sup>1</sup> / <sub>8</sub>	<sup>9</sup> / <sub>16</sub>	4 <sup>1</sup> / <sub>2</sub>	5 <sup>9</sup> / <sub>32</sub>	1 <sup>1</sup> / <sub>4</sub>
AL4195D-G	3	5	③ 6 <sup>1</sup> / <sub>4</sub>	4	39	1 <sup>3</sup> / <sub>8</sub>	1 <sup>3</sup> / <sub>8</sub>	16	3 <sup>3</sup> / <sub>4</sub>	5 <sup>7</sup> / <sub>16</sub>	1 <sup>1</sup> / <sub>8</sub>	<sup>5</sup> / <sub>8</sub>	8	5 <sup>9</sup> / <sub>32</sub>	1 <sup>1</sup> / <sub>4</sub>

- ① 182, 182-T, 184, 184-T frame motors.
  - ② 213, 213-T, 215, 215-T frame motors.
  - ③ 254U, 254-T, 256U, 256-T frame motors.
  - ④ Dimension includes motor block, base height is 2<sup>15</sup>/<sub>16</sub>".
- NOTE: All three pump sizes available with any of the three motors shown in columns.

Section	440
Page	440.10
Issue	F

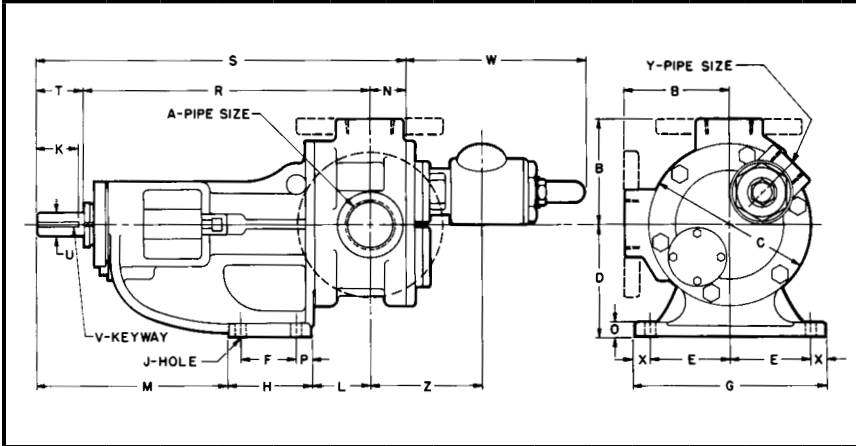
# VIKING® LP-GAS PUMPS

## 4205-G SERIES



### DIMENSIONS

These dimensions are average and not for construction purposes. Certified prints on request.



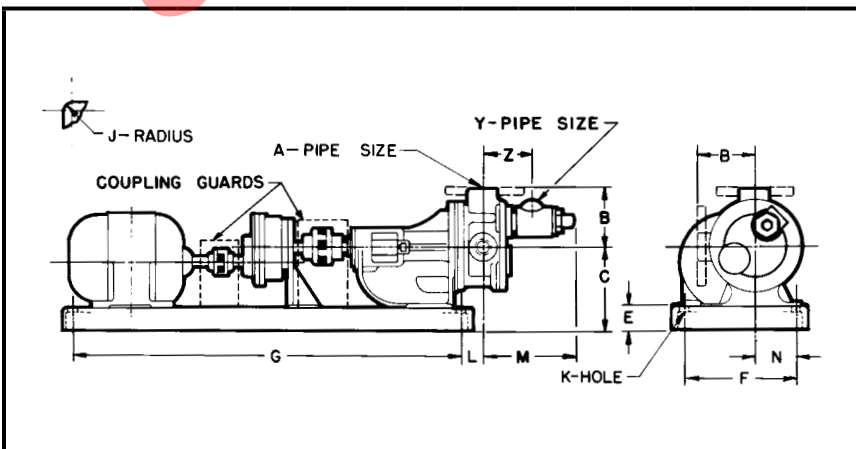
For specifications, see pages 440.4 and 440.5

### DIMENSIONS – 4205-G SERIES “K” - “LL” SIZE

① Flanged ports; pumps furnished with threaded companion flanges. All other models tapped for standard pipe.

MODEL NO.	A	B	C	D	E	F	G	H	J	K	L	M	N	O	P	R	S	T	U	V	W	X	Y	Z
K4205-G	2	5 <sup>1</sup> / <sub>8</sub>	8	5 <sup>1</sup> / <sub>2</sub>	4	2 <sup>3</sup> / <sub>4</sub>	9 <sup>1</sup> / <sub>4</sub>	4	1 <sup>7</sup> / <sub>32</sub>	2	3	9 <sup>3</sup> / <sub>8</sub>	1 <sup>3</sup> / <sub>4</sub>	5 <sup>5</sup> / <sub>8</sub>	5 <sup>5</sup> / <sub>8</sub>	14 <sup>1</sup> / <sub>8</sub>	18 <sup>1</sup> / <sub>8</sub>	2 <sup>1</sup> / <sub>4</sub>	1 <sup>1</sup> / <sub>8</sub>	1 <sup>1</sup> / <sub>4</sub> x 1 <sup>1</sup> / <sub>8</sub>	9	5 <sup>5</sup> / <sub>8</sub>	1 <sup>1</sup> / <sub>4</sub>	5 <sup>3</sup> / <sub>8</sub>
KK4205-G	2	5 <sup>1</sup> / <sub>8</sub>	8	5 <sup>1</sup> / <sub>2</sub>	4	2 <sup>3</sup> / <sub>4</sub>	9 <sup>1</sup> / <sub>4</sub>	4	1 <sup>7</sup> / <sub>32</sub>	2	3	9 <sup>3</sup> / <sub>8</sub>	1 <sup>3</sup> / <sub>4</sub>	5 <sup>5</sup> / <sub>8</sub>	5 <sup>5</sup> / <sub>8</sub>	14 <sup>1</sup> / <sub>8</sub>	18 <sup>1</sup> / <sub>8</sub>	2 <sup>1</sup> / <sub>4</sub>	1 <sup>1</sup> / <sub>8</sub>	1 <sup>1</sup> / <sub>4</sub> x 1 <sup>1</sup> / <sub>8</sub>	9	5 <sup>5</sup> / <sub>8</sub>	1 <sup>1</sup> / <sub>4</sub>	5 <sup>3</sup> / <sub>8</sub>
L4205-G	3	6 <sup>3</sup> / <sub>4</sub>	10 <sup>1</sup> / <sub>4</sub>	7	4 <sup>3</sup> / <sub>8</sub>	4	10	5 <sup>3</sup> / <sub>8</sub>	1 <sup>7</sup> / <sub>32</sub>	2	2 <sup>9</sup> / <sub>16</sub>	9 <sup>1</sup> / <sub>8</sub>	2 <sup>9</sup> / <sub>16</sub>	5 <sup>5</sup> / <sub>8</sub>	5 <sup>5</sup> / <sub>8</sub>	14 <sup>13</sup> / <sub>16</sub>	19 <sup>5</sup> / <sub>8</sub>	2 <sup>1</sup> / <sub>4</sub>	1 <sup>1</sup> / <sub>8</sub>	1 <sup>1</sup> / <sub>4</sub> x 1 <sup>1</sup> / <sub>8</sub>	9	5 <sup>5</sup> / <sub>8</sub>	1 <sup>1</sup> / <sub>2</sub>	6 <sup>5</sup> / <sub>16</sub>
LQ4205-G	① 3	7 <sup>3</sup> / <sub>16</sub>	10 <sup>1</sup> / <sub>4</sub>	7	4 <sup>3</sup> / <sub>8</sub>	4	10	5 <sup>3</sup> / <sub>8</sub>	1 <sup>7</sup> / <sub>32</sub>	2	3 <sup>3</sup> / <sub>8</sub>	9 <sup>1</sup> / <sub>8</sub>	1 <sup>3</sup> / <sub>4</sub>	5 <sup>5</sup> / <sub>8</sub>	5 <sup>5</sup> / <sub>8</sub>	15 <sup>5</sup> / <sub>8</sub>	19 <sup>5</sup> / <sub>8</sub>	2 <sup>1</sup> / <sub>4</sub>	1 <sup>1</sup> / <sub>8</sub>	1 <sup>1</sup> / <sub>4</sub> x 1 <sup>1</sup> / <sub>8</sub>	9	5 <sup>5</sup> / <sub>8</sub>	1 <sup>1</sup> / <sub>2</sub>	5 <sup>1</sup> / <sub>2</sub>
LL4205-G	① 3	7 <sup>3</sup> / <sub>16</sub>	10 <sup>1</sup> / <sub>4</sub>	7	4 <sup>3</sup> / <sub>8</sub>	4	10	5 <sup>3</sup> / <sub>8</sub>	1 <sup>7</sup> / <sub>32</sub>	2	3 <sup>3</sup> / <sub>8</sub>	9 <sup>1</sup> / <sub>8</sub>	2 <sup>1</sup> / <sub>4</sub>	5 <sup>5</sup> / <sub>8</sub>	5 <sup>5</sup> / <sub>8</sub>	15 <sup>5</sup> / <sub>8</sub>	20 <sup>1</sup> / <sub>8</sub>	2 <sup>1</sup> / <sub>4</sub>	1 <sup>1</sup> / <sub>8</sub>	1 <sup>1</sup> / <sub>4</sub> x 1 <sup>1</sup> / <sub>8</sub>	9	5 <sup>5</sup> / <sub>8</sub>	1 <sup>1</sup> / <sub>2</sub>	6

OBSOLETE PRODUCT



For specifications, see page 440.6

### DIMENSIONS – 4205-G SERIES ("R" DRIVE) “K” - “LL” SIZE

MODEL NO.	A	B	C	E	F	G	J	K	L	M	N	Y	Z
① K4205R-G	2	5 <sup>1</sup> / <sub>8</sub>	9 <sup>1</sup> / <sub>2</sub>	4	14 <sup>1</sup> / <sub>4</sub>	48	1 <sup>3</sup> / <sub>8</sub>	5 <sup>5</sup> / <sub>8</sub>	2	10 <sup>3</sup> / <sub>4</sub>	4 <sup>1</sup> / <sub>4</sub>	1 <sup>1</sup> / <sub>4</sub>	5 <sup>3</sup> / <sub>8</sub>
① KK4205R-G	2	5 <sup>1</sup> / <sub>8</sub>	9 <sup>1</sup> / <sub>2</sub>	4	14 <sup>1</sup> / <sub>4</sub>	48	1 <sup>3</sup> / <sub>8</sub>	5 <sup>5</sup> / <sub>8</sub>	2	10 <sup>3</sup> / <sub>4</sub>	4 <sup>1</sup> / <sub>4</sub>	1 <sup>1</sup> / <sub>4</sub>	5 <sup>3</sup> / <sub>8</sub>
L4205R-G	3	6 <sup>3</sup> / <sub>4</sub>	11	4	14 <sup>1</sup> / <sub>4</sub>	48	1 <sup>3</sup> / <sub>8</sub>	5 <sup>5</sup> / <sub>8</sub>	1 <sup>5</sup> / <sub>8</sub>	11 <sup>9</sup> / <sub>16</sub>	4 <sup>5</sup> / <sub>8</sub>	1 <sup>1</sup> / <sub>2</sub>	6 <sup>5</sup> / <sub>16</sub>
LQ4205R-G	② 3	7 <sup>3</sup> / <sub>16</sub>	11	4	14 <sup>1</sup> / <sub>4</sub>	48	1 <sup>3</sup> / <sub>8</sub>	5 <sup>5</sup> / <sub>8</sub>	2 <sup>3</sup> / <sub>8</sub>	10 <sup>3</sup> / <sub>4</sub>	4 <sup>5</sup> / <sub>8</sub>	1 <sup>1</sup> / <sub>2</sub>	5 <sup>1</sup> / <sub>2</sub>
LL4205R-G	② 3	7 <sup>3</sup> / <sub>16</sub>	11	4	14 <sup>1</sup> / <sub>4</sub>	48	1 <sup>3</sup> / <sub>8</sub>	5 <sup>5</sup> / <sub>8</sub>	2 <sup>3</sup> / <sub>8</sub>	11 <sup>1</sup> / <sub>4</sub>	4 <sup>5</sup> / <sub>8</sub>	1 <sup>1</sup> / <sub>2</sub>	6

① With motor frames 184-T and smaller, these units are assembled on a shorter base with the following dimension changes: (F=16, G=39, L=3, N=5<sup>5</sup>/<sub>8</sub>).

Motor rails 1<sup>1</sup>/<sub>8</sub>" high are required with 56, 143-T and 145-T frame motors.

Motor frame larger than 256-T requires larger base. Consult factory. Units available to accept 10 HP, 1200 RPM maximum motor.

② Flanged ports; pumps furnished with threaded companion flanges. All other models tapped for standard pipe.

NOTE: Motor rails 2" high required on "L" thru "LL" size units with 184-T or 4<sup>1</sup>/<sub>2</sub>" center height motors.

# VIKING® LP-GAS PUMPS 4205-G SERIES



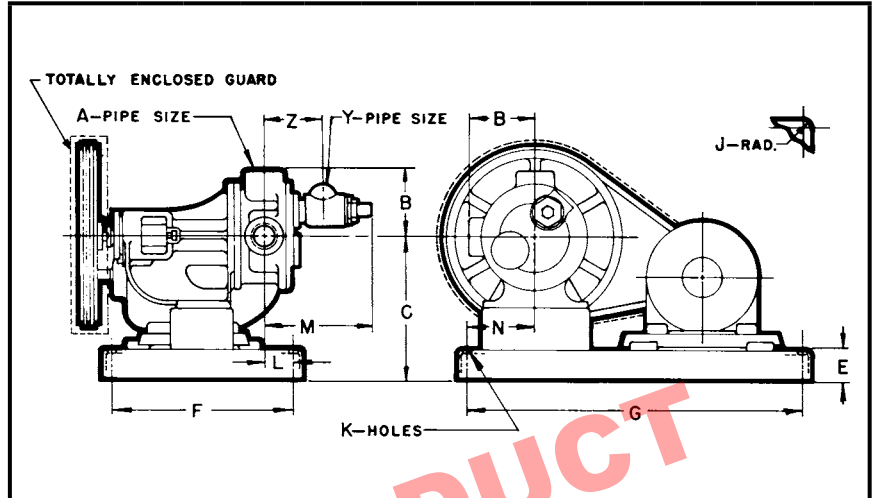
Section	440
Page	440.11
Issue	F

## DIMENSIONS

These dimensions are average and not for construction purposes. Certified prints on request.

For specifications, see page 440.7.

### DIMENSIONS — 4205-G SERIES ("V" DRIVE) "K" - "LL" SIZE



MODEL NO.	A	B	C	E	F	G	J	K	L	M	N	Y	Z
K4205V-G	2	5 <sup>1</sup> / <sub>8</sub>	13 <sup>13</sup> / <sub>16</sub>	3 <sup>1</sup> / <sub>4</sub>	17	28 <sup>3</sup> / <sub>4</sub>	1	1/2	2 <sup>1</sup> / <sub>2</sub>	10 <sup>3</sup> / <sub>4</sub>	6 <sup>11</sup> / <sub>16</sub>	1 <sup>1</sup> / <sub>4</sub>	5 <sup>3</sup> / <sub>8</sub>
KK4205V-G	2	5 <sup>1</sup> / <sub>8</sub>	13 <sup>13</sup> / <sub>16</sub>	3 <sup>1</sup> / <sub>4</sub>	17	28 <sup>3</sup> / <sub>4</sub>	1	1/2	2 <sup>1</sup> / <sub>2</sub>	10 <sup>3</sup> / <sub>4</sub>	6 <sup>11</sup> / <sub>16</sub>	1 <sup>1</sup> / <sub>4</sub>	5 <sup>3</sup> / <sub>8</sub>
L4205V-G	3	6 <sup>3</sup> / <sub>4</sub>	15 <sup>5</sup> / <sub>16</sub>	3 <sup>1</sup> / <sub>4</sub>	17	28 <sup>3</sup> / <sub>4</sub>	1	1/2	3 <sup>1</sup> / <sub>16</sub>	11 <sup>9</sup> / <sub>16</sub>	6 <sup>11</sup> / <sub>16</sub>	1 <sup>1</sup> / <sub>2</sub>	6 <sup>5</sup> / <sub>16</sub>
LQ4205V-G	① 3	7 <sup>3</sup> / <sub>16</sub>	15 <sup>5</sup> / <sub>16</sub>	3 <sup>1</sup> / <sub>4</sub>	17	28 <sup>3</sup> / <sub>4</sub>	1	1/2	2 <sup>1</sup> / <sub>4</sub>	10 <sup>3</sup> / <sub>4</sub>	6 <sup>11</sup> / <sub>16</sub>	1 <sup>1</sup> / <sub>2</sub>	5 <sup>1</sup> / <sub>2</sub>
LL4205V-G	① 3	7 <sup>3</sup> / <sub>16</sub>	15 <sup>5</sup> / <sub>16</sub>	3 <sup>1</sup> / <sub>4</sub>	17	28 <sup>3</sup> / <sub>4</sub>	1	1/2	2 <sup>1</sup> / <sub>4</sub>	11 <sup>1</sup> / <sub>4</sub>	6 <sup>11</sup> / <sub>16</sub>	1 <sup>1</sup> / <sub>2</sub>	6

① Flanged ports; pumps furnished with threaded companion flanges. All other models tapped for standard pipe.  
Base dimensions correct through 215T motors and 19" O.D. sheaves. Larger motors and/or 25" O.D. sheaves require larger base.

Section	440
Page	440.12
Issue	F

**VIKING® LP-GAS PUMPS**  
**4195-G & 4205-G SERIES**



---

## Performance Curve Notes

Printed performance curves are not available.

Performance curves can be electronically generated with the Viking Pump Selector Program. This program can be located on [www.vikingpump.com/pumpselector](http://www.vikingpump.com/pumpselector) for the general public.

For authorized distributors, this program can be found listed under the “Products” tab at [www.idexconnect.com](http://www.idexconnect.com). Security passwords are required to access IDEXconnect.

**OBSOLETE PRODUCT**  
**4Q15**