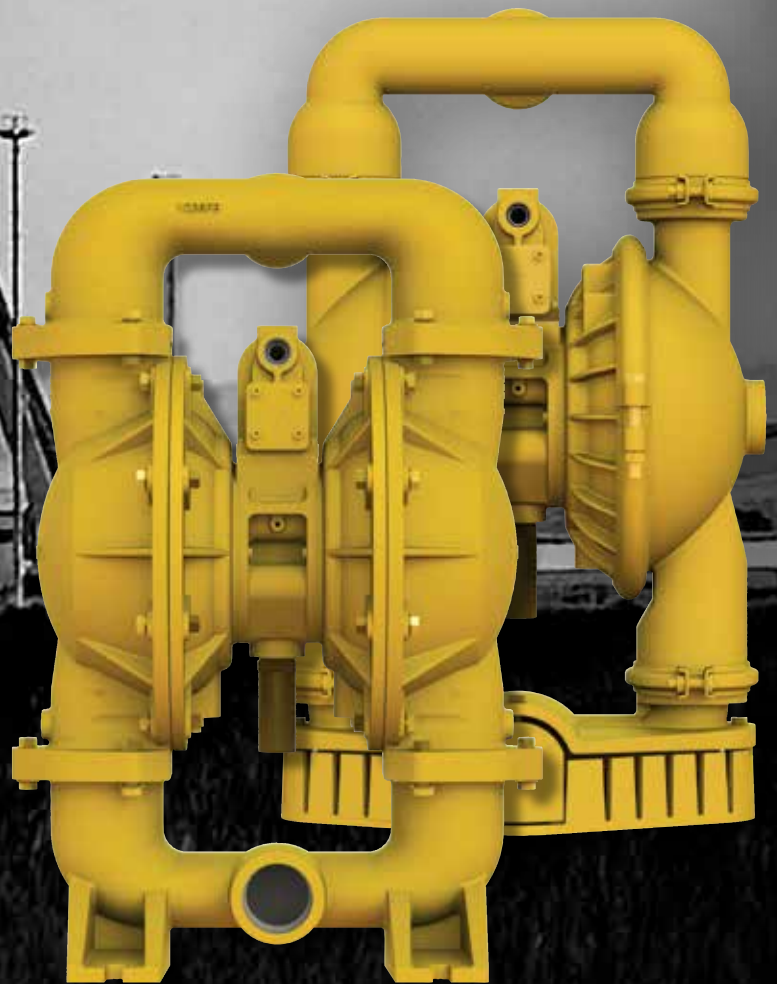


VERSAMATIC

APPLICATIONS

VERSAMATIC[®]
VERSAMATIC.COM



IBEX

MINING APPLICATIONS

AODD PUMPING SOLUTIONS

The robust construction, a vast array of available materials, and ease of maintenance will ensure satisfaction throughout your company. With 30+ years of experience, Versa-Matic's products have been proven in the field as a dependable pumping solutions, installed in the harshest of conditions.

1 DEWATERING

When mining underground, water will travel to the lowest point. AODD pumps are used to move this water to a central basin where it is then pumped above ground for treatment. Common locations for dewatering would include: drift dewatering, face dewatering under the drilling equipment, mud and muck pumping, and belt dewatering.

2 FUELS & LUBRICATIONS

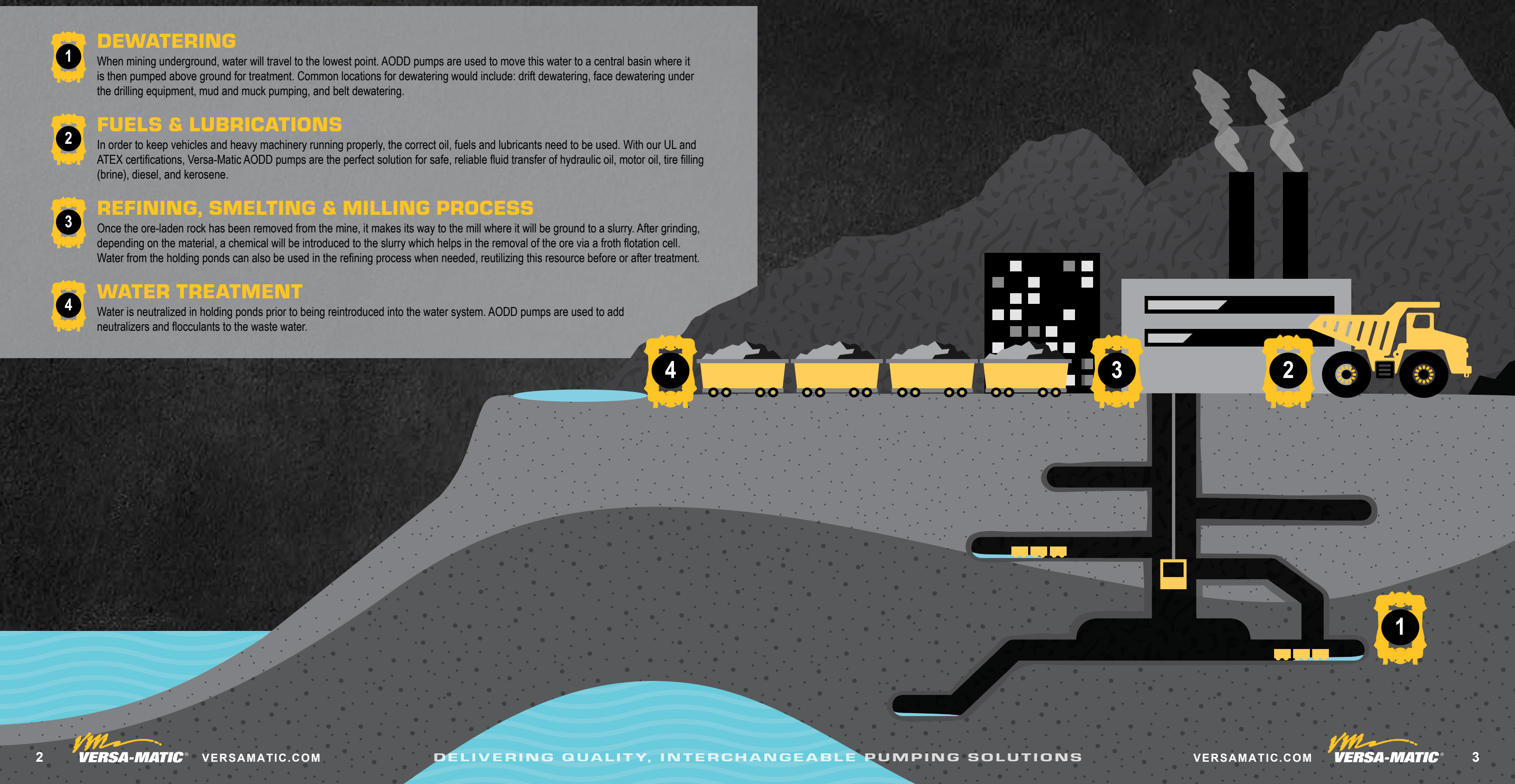
In order to keep vehicles and heavy machinery running properly, the correct oil, fuels and lubricants need to be used. With our UL and ATEX certifications, Versa-Matic AODD pumps are the perfect solution for safe, reliable fluid transfer of hydraulic oil, motor oil, tire filling (brine), diesel, and kerosene.

3 REFINING, SMELTING & MILLING PROCESS

Once the ore-laden rock has been removed from the mine, it makes its way to the mill where it will be ground to a slurry. After grinding, depending on the material, a chemical will be introduced to the slurry which helps in the removal of the ore via a froth flotation cell. Water from the holding ponds can also be used in the refining process when needed, reutilizing this resource before or after treatment.

4 WATER TREATMENT

Water is neutralized in holding ponds prior to being reintroduced into the water system. AODD pumps are used to add neutralizers and flocculants to the waste water.



BALL VALVE PUMPING TECHNOLOGY



KEY APPLICATIONS:

- Dewatering
- Lubrication
- Fuels and Oils
- Water Treatment

ADVANTAGES:

Ball valve pumps in both clamped and bolted configurations:

- Handles everything from slurries and solids laden fluids to water; the gentle pumping action and open clearances provided by AODD pumps are perfect for shear sensitive products that can be damaged by other pump types
- Delivers flow rates up to 273 gpm (1,033 lpm)
- No-Stall Guarantee, including lube free operation and On/Off reliability
- Clamped design makes tearing down and rebuilding the pump a quick and easy process
- Bolted design provides safe, leak-free transfer of thin fluids while still maintaining ease of rebuild
- Dimensionally interchangeable models that replace Wilden® 4, 8 and 15 Series also available.



Interchangeable: Many Versa-Matic pumps and parts are dimensionally interchangeable with Wilden®. Advance to Versa-Matic to save money and maintain reliability without the expense of changing your system.

PERFORMANCE:

Ball Valve Pumping Technology

Flow Rates

Adjustable to..... 273 gpm (1,033 lpm)

Port Sizes

Suction..... 1/4" - 3" (6.35 - 76.2mm)

Discharge 1/4" - 3" (6.35 - 76.2mm)

Air Inlet 3/8" - 1/2" NPT (9.5 - 12.7mm)

Air Exhaust..... 3/8" - 1" NPT (9.5 - 25.4mm)

Suction Lift

Dry..... up to 20' (6.10m)

Wet..... up to 31' (9.45m)

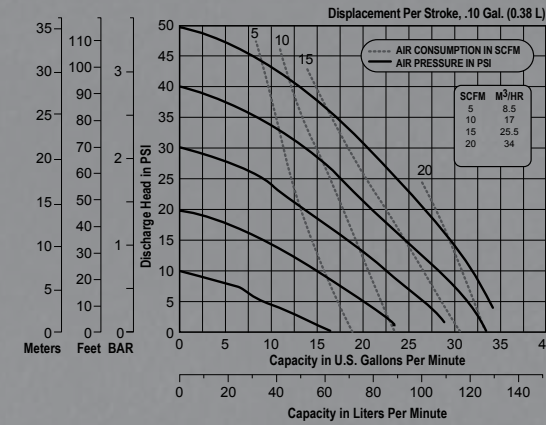
Max Solid Size (Diameter)..... up to 3/8" (9.5mm)

Shipping Weights

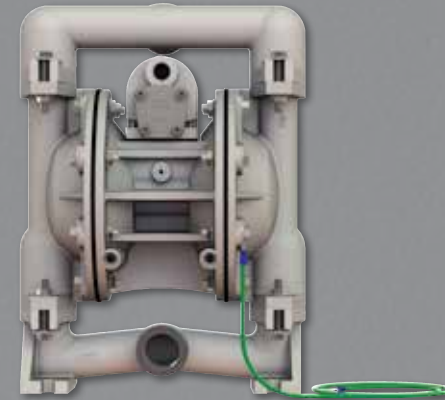
..... See Service Manual

FEATURED PUMPS

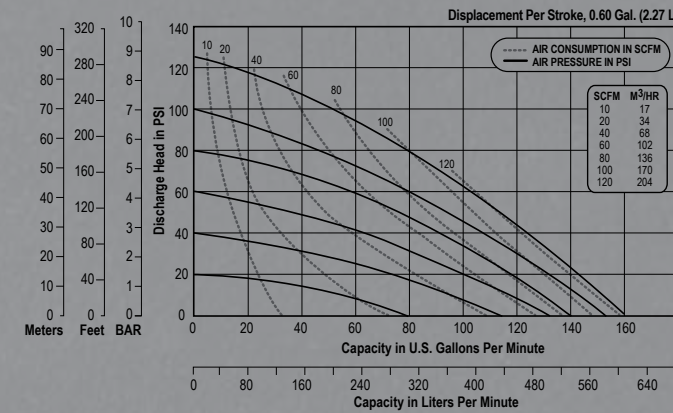
E1 METALLIC BOLTED • UL | 1" (25.4MM)



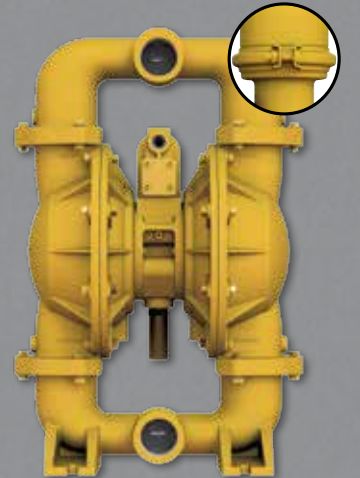
- MAX FLOW:**
 UL: 35 gpm (132 lpm)
 Standard: 49 gpm (185 lpm)
- PORTING:**
 Center Horizontal
- CENTER SECTION:**
 Aluminum (coating options)
- WETTED SECTION:**
 Aluminum
 Stainless Steel



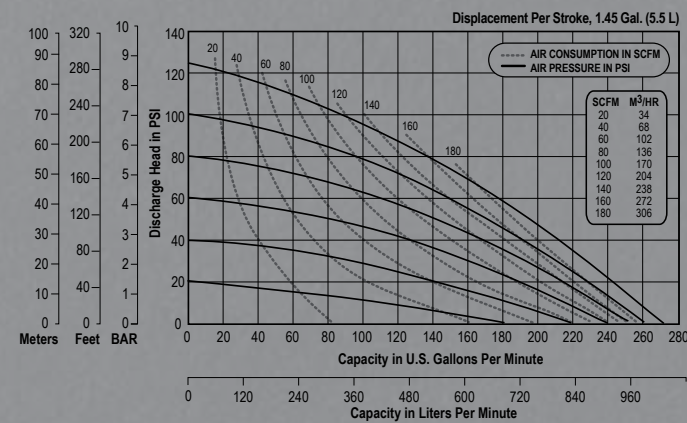
E2 METALLIC BOLTED • ALUMINUM | 2" (50.8MM)



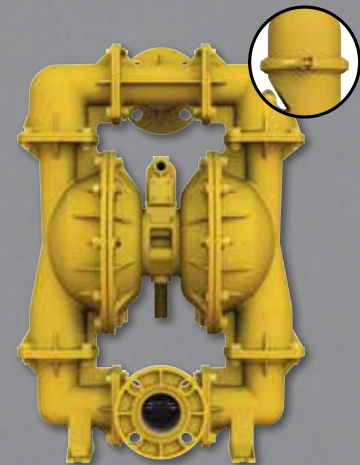
- MAX FLOW:**
 163 gpm (617 lpm)
- PORTING:**
 Center Horizontal
- CENTER SECTION:**
 Aluminum (coating options)
- WETTED SECTION:**
 Aluminum
- OPTIONS:**
 Clamped
 Screen Based



E3 METALLIC BOLTED | 3" (76.2MM)



- MAX FLOW:**
 273 gpm (1,033 lpm)
- PORTING:**
 Center Horizontal & Center Vertical
- CENTER SECTION:**
 Aluminum (coating options)
 Stainless Steel
- WETTED SECTION:**
 Alloy C
 Aluminum
 Stainless Steel
- OPTIONS:**
 Clamped
 Screen Based



FOR SPECIFICATION DETAILS AND MORE OPTIONS, VISIT VERSAMATIC.COM/ELIMAMATIC

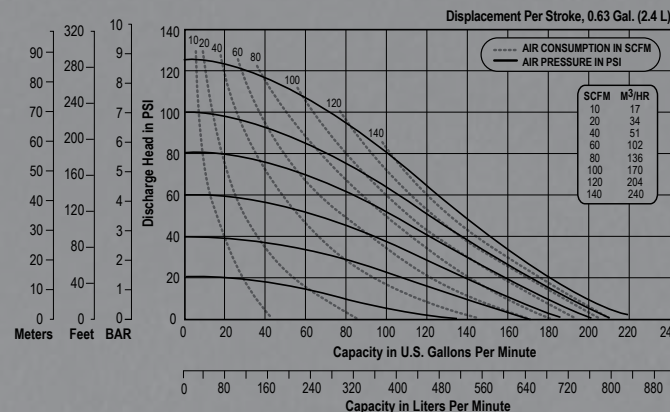
Wilden® is a registered trademark of Wilden Pump and Engineering Company, a Dover Resources Company. Versa-Matic and its products are not affiliated with Wilden Pump and Engineering Company.

FLAP VALVE PUMPING TECHNOLOGY



FEATURED PUMP

E2 METALLIC CLAMPED • FLAP | 2" (50.8M)

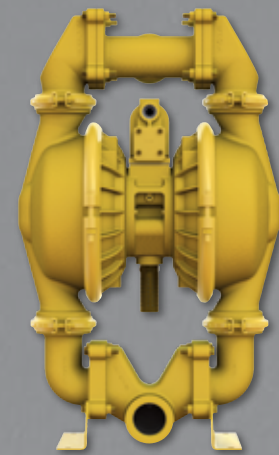


MAX FLOW:
219 gpm (829 lpm)

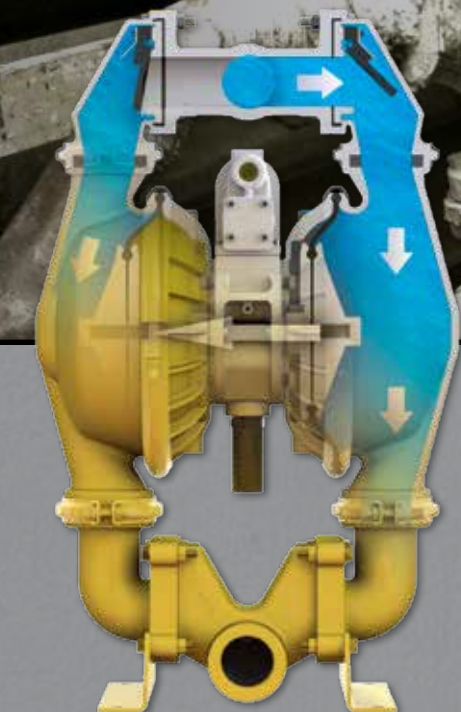
PORTING:
Center Horizontal

CENTER SECTION:
Aluminum (coating options)

WETTED SECTION:
Aluminum



FOR SPECIFICATION DETAILS AND MORE OPTIONS, VISIT VERSAMATIC.COM/ELIMAMATIC



PERFORMANCE:

Flap Valve Pumping Technology

Flow Rates

Adjustable to..... 219 gpm (829 lpm)

Port Sizes

Suction..... 2" (50.8mm)

Discharge 2" (50.8mm)

Air Inlet 1/2" NPT (12.7mm)

Air Exhaust..... 1" NPT (25.4mm)

Suction Lift

Dry 15' (4.7m)

Wet 28' (8.53m)

Max Solid Size (Diameter) .. up to 1 1/8" (28.6mm)

Shipping Weights

..... See Service Manual

KEY APPLICATIONS:

- Dewatering (solids laden watering)
- Pit / Sump transfer

ADVANTAGES:

Flap Check Valve:

- Hinge pads exert positive pressure on the flaps allowing the pump to operate in virtually any position; this helps deliver superior suction lift and flow rates up to 219 gpm (829 lpm)

Superior Solids Handling:

- The flap valve design allows for greater solids handling up to 1 1/8" (28.6mm) due to the open internal pump tolerances and its top suction bottom discharge gravity assistance flow through design

Bottom Discharge:

- The bottom discharge, top suction design is optimum for handling settling solids and slurry
- Working with gravity, solids are quickly evacuated helping to reduce potential diaphragm failures



Interchangeable: Many Versa-Matic pumps and parts are dimensionally interchangeable with Wilden®. Advance to Versa-Matic to save money and maintain reliability without the expense of changing your system.

BALL & FLAP VALVE VERSATILITY

Multiple Installation Configurations

Versa-Matic installation and application flexibility is unrivaled compared to other types of positive displacement (PD) pumps.

Our pumps are designed to perform in less than optimum system conditions. Versa-Matic pumps can be fixed mounted to your process system or remain portable for easy mobility. Simplifying your systems begins with Versa-Matic.

All installations:

- Run-dry capable
- No heat generation
- No electricity required

SUCTION LIFT

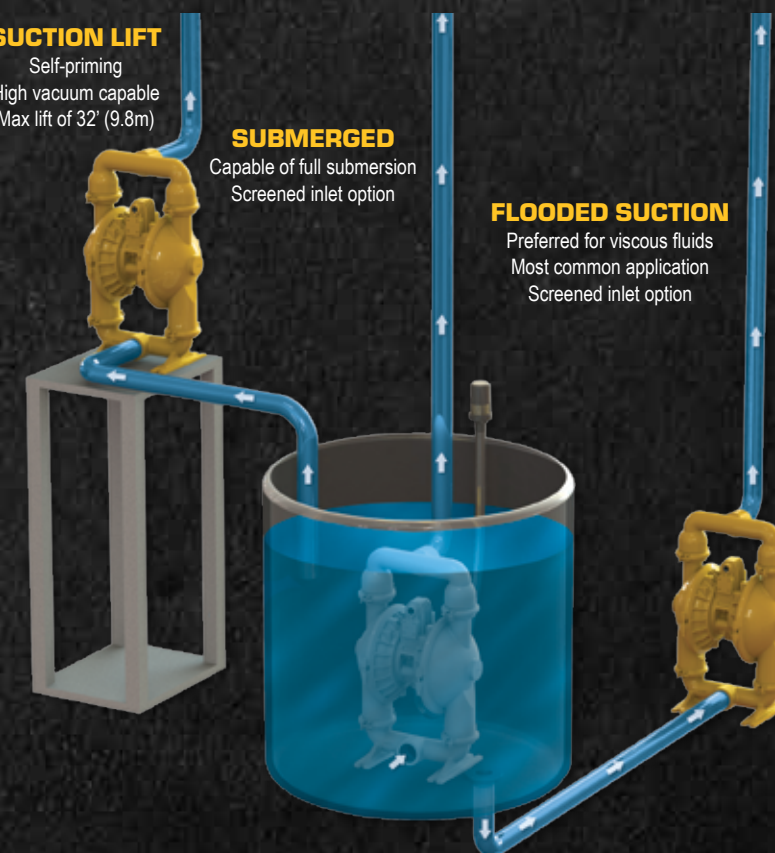
Self-priming
High vacuum capable
Max lift of 32' (9.8m)

SUBMERGED

Capable of full submersion
Screened inlet option

FLOODED SUCTION

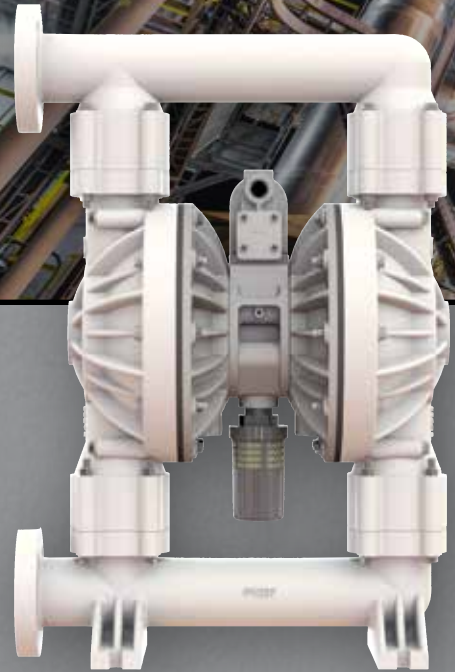
Preferred for viscous fluids
Most common application
Screened inlet option



NOTE: Consult your distributor or service manual for proper materials of construction and installation for your application.

Wilden® is a registered trademark of Wilden Pump and Engineering Company, a Dover Resources Company. Versa-Matic and its products are not affiliated with Wilden Pump and Engineering Company.

CHEMICAL PUMPING TECHNOLOGY



PERFORMANCE:

Chemical Pumping Technology

Flow Rates

Adjustable to.....238 gpm (0-901 lpm)

Port Sizes

Suction..... 1/4" - 3" (6.35 - 76.2mm)

Discharge 1/4" - 3" (6.35 - 76.2mm)

Air Inlet 3/8" - 3/4" (9.5 - 19.05mm)

Air Exhaust..... 3/8" - 1" NPT (9.5 - 25.4mm)

Suction Lift

Dry up to 20' (6.10m)

Wet up to 32' (9.8m)

Max Solid Size (Diameter).....up to .71" (18mm)

Shipping Weights

..... See Service Manual

KEY APPLICATIONS:

- Water Treatment
- Refining Process

ADVANTAGES:

- High chemical resistance
- Diverse material offering
- Wide range of sizes
- Robust, lightweight construction
- Non-freezing, Non-stalling On / Off reliability

FEATURES:

- Heavy duty construction
- No-freezing, Non-stalling
- On / Off reliability
- Wetted Materials
 - Conductive Acetal
 - Conductive Polypropylene
 - Polypropylene
 - PVDF

HIGH PRESSURE PUMPING TECHNOLOGY



KEY APPLICATIONS:

- Water Treatment
- Higher Viscosity Fluids
- Long Piping Runs

ADVANTAGES:

- 2:1 pump with discharge pressure ability greater than 200 PSI
- Extra diaphragm that redirects air behind the pumping diaphragm via high pressure hose
- Ideal for Long Piping Runs and viscous product

FEATURES:

- Withstands high pressure for maximum flow control
- Heavy duty construction
- Non-freezing, Non-stalling
- On / Off reliability
- PTFE fitted units available



PERFORMANCE:

High Pressure Pumping Technology

Flow Rates

Adjustable to..... 69 gpm (261 lpm)

Port Sizes

Suction..... 2" ANSI 300lb class (DIN 50)

Discharge 2" ANSI 300lb class (DIN 50)

Air Inlet 1/2" (12.7mm)

Air Exhaust..... 1" (25.4mm)

Suction Lift

Dry up to 20' (6.10m)

Wet up to 25' (7.6m)

Max Solid Size (Diameter).....up to 1/4" (6.4mm)

Shipping Weights

..... See Service Manual

PUMP SELECTION GUIDE

MINING APPLICATIONS

Versa-Matic has the right pump for you and your mine. Offering variable flow options without damage, ranging from 0 to 273 GPM in sizes from 1/4" to 3", we're sure you can find a pump that will satisfy your needs.



DIAPHRAGM COMPARISON

VERSA-DOME TECHNOLOGY:

- Spreads wear across entire face of diaphragm for an extended flex life
- Delivers full stroke and increased displacement

VERSA-RUGGED TECHNOLOGY:

- Excellent handling of solids and slurries
- Large plates that increase diaphragm support in poor operating conditions





| | AODD BALL VALVE | | | | | AODD BALL VALVE | | | AODD FLAP VALVE | CHEMICAL | | |
|-----------------------|-------------------|---|----------------------|------------------------|---------------------|--------------------------------|----------------------|------------------------|-------------------------------------|--------------------------------|--------------------------------------|--------------------------------|
| PUMP MODEL | E5 Bolted | E1 UL Bolted | E2 Clamped | E2 Screen Base Clamped | E2 Bolted | E2 Bolted | E3 Clamped | E3 Screen Base Clamped | E3 Bolted | E2 Flap Valve Clamped | E2 Bolted | E3 Bolted |
| PORT SIZE | 1/2" | 1" | 2" | 2" | 2" | 2" | 3" | 3" | 3" | 2" | 2" | 3" |
| WETTED MATERIAL | AL / SS / H | AL / SS | AL / CI / SS / H | AL | AL | CI / SS / H | AL / CI / SS / H | AL | AL / SS / H | AL | PP / K | PP / K |
| AIR SIDE MATERIAL | PP | AL / PP | AL / SS / Coated AL* | AL / SS / Coated AL* | AL | AL / SS / Coated AL* | AL / SS / Coated AL* | AL | AL / SS / Coated AL* | AL | Al / SS / Coated AL* / PP** | AL |
| PORTING CONFIGURATION | Horizontal | Horizontal | Horizontal / Center | Horizontal / Center | Horizontal / Center | Vertical / Horizontal / Center | Horizontal / Center | Horizontal / Center | Horizontal / Vertical (AL) / Center | Horizontal / Vertical / Center | End / Horizontal / Center / Vertical | Vertical / Horizontal / Center |
| MAX FLOW | 12 gpm (45.4 lpm) | Std: 49 gpm (185 lpm) UL: 35 gpm (132 lpm) | 185 gpm (700 lpm) | 185 gpm (700 lpm) | 163 gpm (617 lpm) | 160 gpm (606 lpm) | 234 gpm (886 lpm) | 234 gpm (886 lpm) | 273 gpm (1033 lpm) | 219 gpm (829 lpm) | 177 gpm (670 lpm) | 238 gpm (901 lpm) |
| DISCHARGE PRESSURE | 125 psi (8.6 bar) | 50 psi (3.4 bar) | 125 psi (8.6 bar) | 125 psi (8.6 bar) | 125 psi (8.6 bar) | 125 psi (8.6 bar) | 125 psi (8.6 bar) | 125 psi (8.6 bar) | 125 psi (8.6 bar) | 125 psi (8.6 bar) | 100 psi (6.9 bar) | 100 psi (6.9 bar) |
| SOLIDS HANDLING | .0625" (1.6mm) | .125" (3.2mm) | .25" (6.4mm) | .25" (6.4mm) | .43" (10.9mm) | .25" (6.4mm) | .375" (9.5mm) | .375" (9.5mm) | .375" (9.5mm) | 1.125" (28.6mm) | .25" (6.4mm) | .71" (18mm) |
| MINE DEWATERING | X | X | A | A | A | C | A | A | A | A | B | C |
| EMERGENCY RESPONSE | C | C | A | A | A | C | A | A | C | A | A | C |
| TRENCH DEWATERING | X | X | A | A | A | C | A | A | C | A | C | A |
| DRILLING MUD MAKE-UP | X | X | A | A | A | B | A | A | B | A | X | X |
| FUEL AND LUBRICATION | A | A | C | X | B | A | C | X | C | X | B | X |
| CHEMICAL TRANSFER | A | A | C | X | A | A | C | X | A | X | A | A |

Notes: * Coated aluminum air sections are available (PTFE Coated or Nickel Plated). E3 Non-Metallic units come standard with Epoxy coated aluminum air section or can be ordered with an optional PTFE coating. ** If a Polypropylene air section is required, order a U2 Ultra-Matic Series product (U2PP).

Material Codes: AL = Aluminum, CI = Cast Iron, H = Alloy C, SS = Stainless Steel, PP = Polypropylene, K = PVDF

A = Frequently Used B = Often Used C = Sometimes Used X = Never Used

**DELIVERING QUALITY,
INTERCHANGEABLE PUMPING SOLUTIONS**

5 YEAR
LIMITED
WARRANTY



VERSA-MATIC®
Warren Rupp, Inc.
A Unit of IDEX Corporation
800 North Main Street
Mansfield, OH 44902 USA

Phone: 419.526.7296
Fax: 419.526.7289
versamatic.com



IDEX

Distributed By:

©Copyright 2016 Warren Rupp, Inc. All Rights Reserved.

VM_Miningbro-rev0916