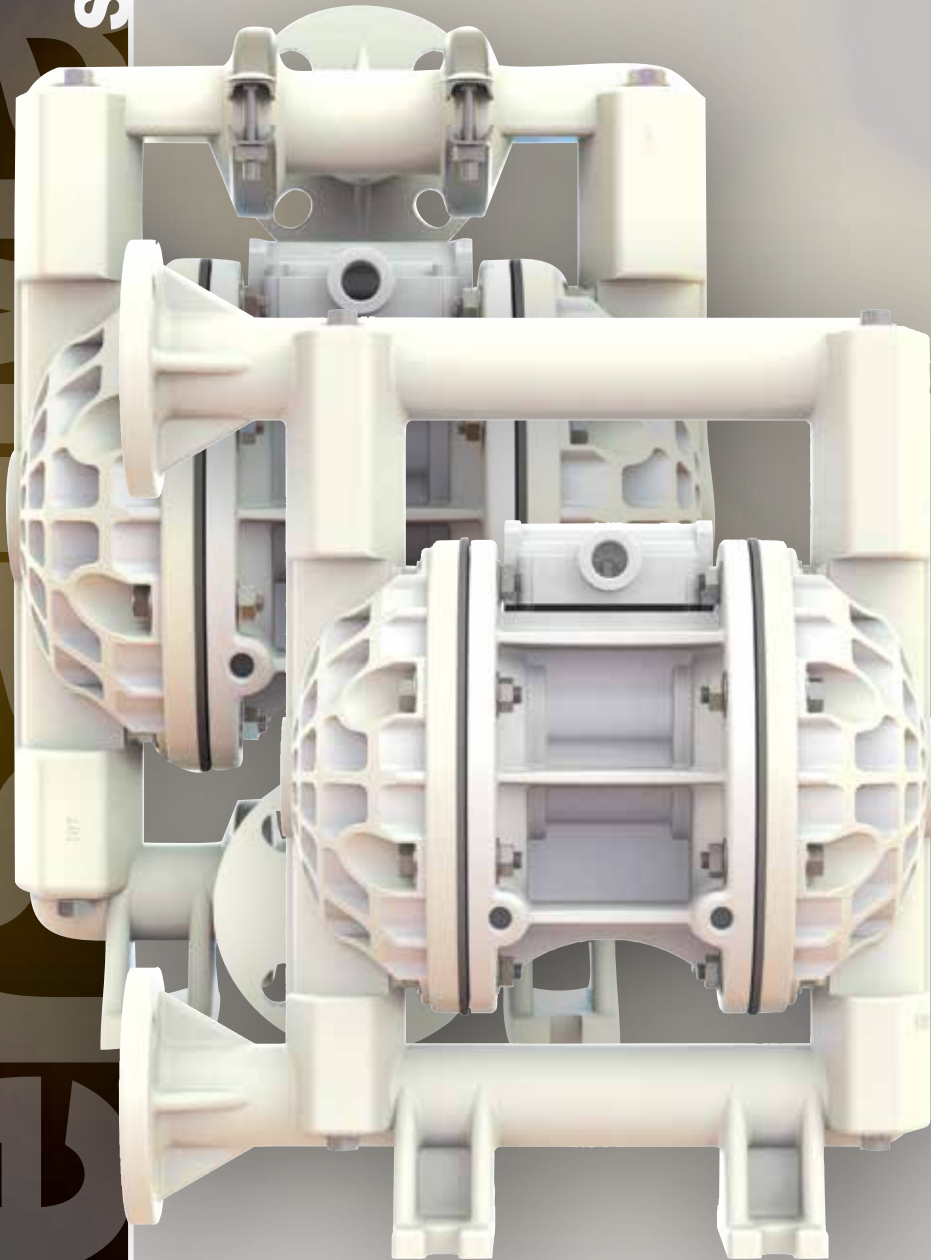




VERSA-MATIC® E1

Experience Superior Performance



Multiple Porting Options

Top, side and end porting for both inlet and discharge

Shoe Valve Technology

On / Off / On reliability, with no costly air blow-by for excellent air efficiency

Adaptable Footprint

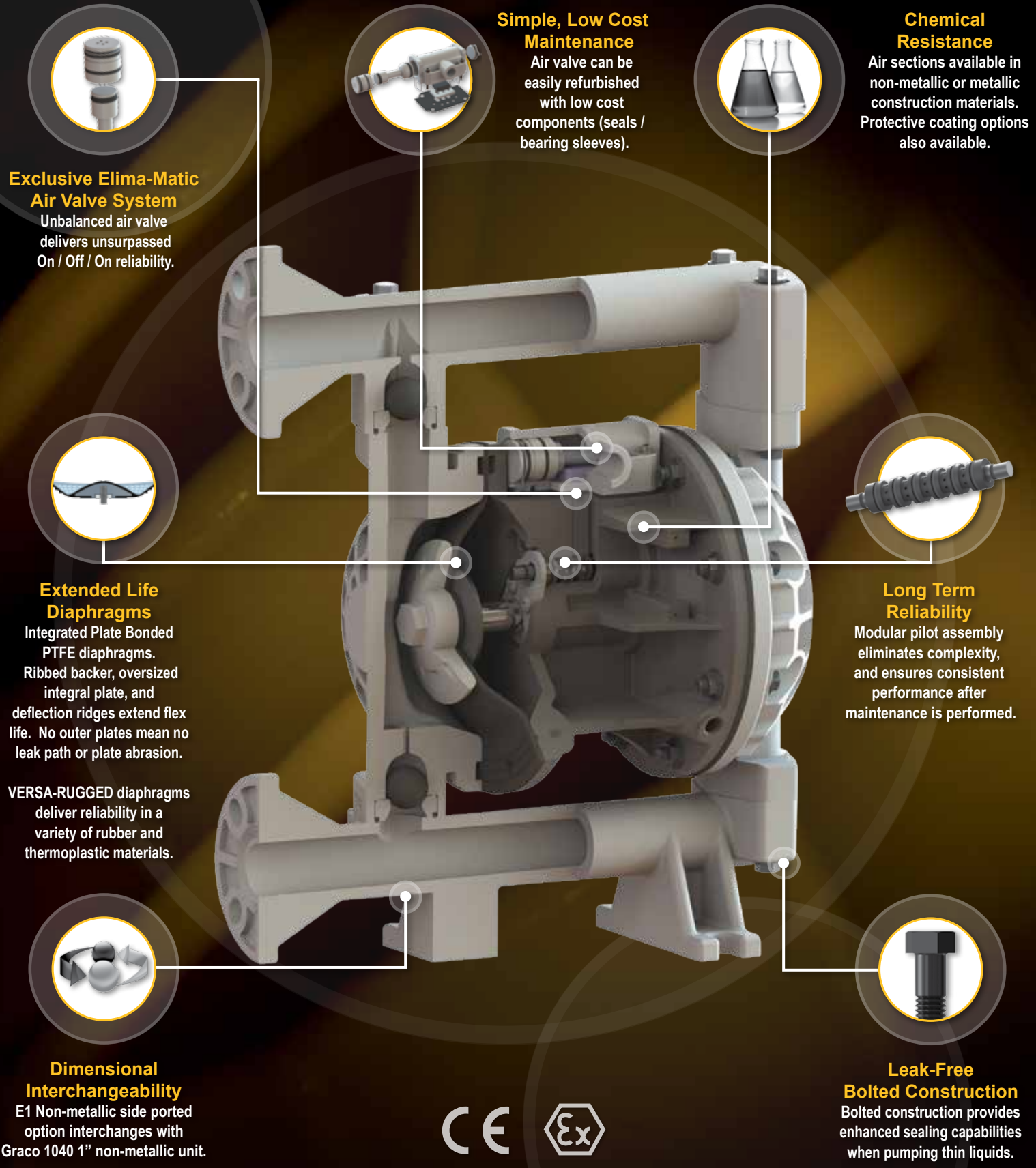
Allows for drop-in replacement in existing system configurations



Features & Benefits

E1 1" Non-Metallic Bolted

E1



Exclusive Elima-Matic Air Valve System

Unbalanced air valve delivers unsurpassed On / Off / On reliability.

Simple, Low Cost Maintenance

Air valve can be easily refurbished with low cost components (seals / bearing sleeves).

Chemical Resistance

Air sections available in non-metallic or metallic construction materials. Protective coating options also available.

Extended Life Diaphragms

Integrated Plate Bonded PTFE diaphragms. Ribbed backer, oversized integral plate, and deflection ridges extend flex life. No outer plates mean no leak path or plate abrasion.

VERSA-RUGGED diaphragms deliver reliability in a variety of rubber and thermoplastic materials.

Long Term Reliability

Modular pilot assembly eliminates complexity, and ensures consistent performance after maintenance is performed.

Dimensional Interchangeability

E1 Non-metallic side ported option interchanges with Graco 1040 1" non-metallic unit.

Leak-Free Bolted Construction

Bolted construction provides enhanced sealing capabilities when pumping thin liquids.



Specifications

E1 1" Non-Metallic Bolted

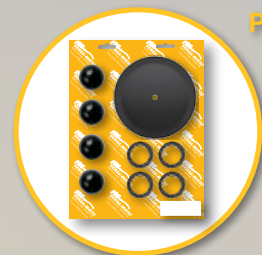
Accessories / Kits:

Protect Your Investment and Increase Uptime



Filter / Regulator

Clean dry air for optimum performance and longevity. Automatic drain for maintenance free operation.



Parts Kits

Save time and money with complete parts kits. Repair it once, repair it right.

Performance:

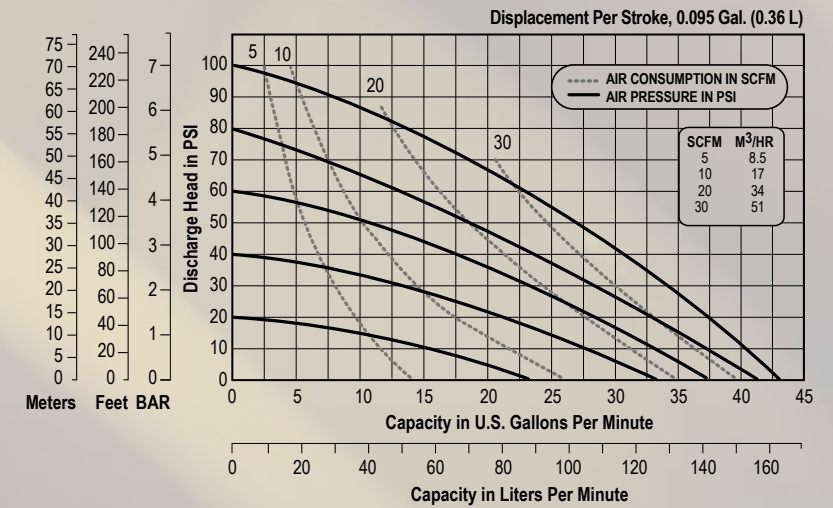
E1 1" Bolted Plastic Rubber and TPE Fitted

- Flow Rate**
Adjustable to 0-43 gpm (162.8 LPM)
- Port Size**
Suction . . . 1" 150 lbs ANSI/DIN 325 Flange
Discharge . . 1" 150 lbs ANSI/DIN 325 Flange
- Air Inlet** 3/8" NPT (9.5 mm)
- Air Exhaust** 1/2" NPT (12.7mm)
- Suction Lift**
Dry 11' (3.4 m)
Wet 31' (9.4 m)
- Max Solid Size (Diameter)** . . 1/8" (3.1 mm)
- Max Noise Level** 94 dB(A)
- Shipping Weights**
Polypropylene 17 lbs (7.7 kg)
PVDF 22 lbs (10 kg)

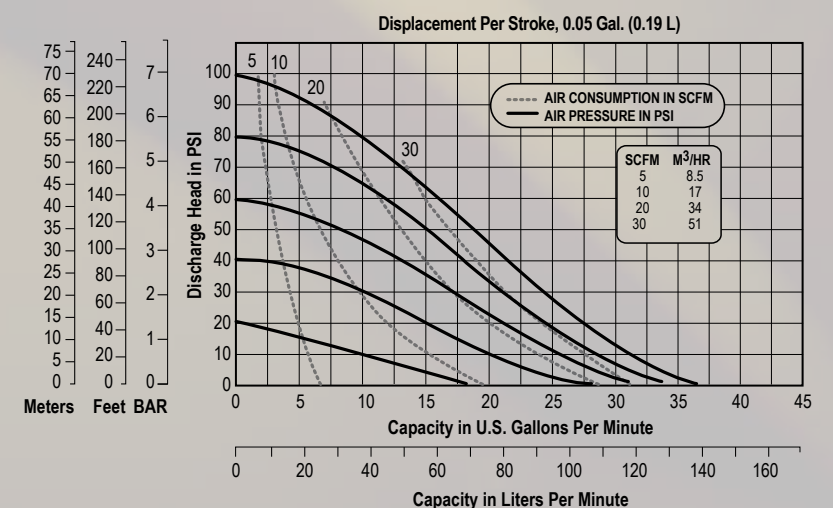
E1 1" Bolted Plastic PTFE Fitted

- Flow Rate**
Adjustable to 0-36 gpm (136.3 LPM)
- Port Size**
Suction . . . 1" 150 lbs ANSI/DIN 325 Flange
Discharge . . 1" 150 lbs ANSI/DIN 325 Flange
- Air Inlet** 3/8" NPT (9.5 mm)
- Air Exhaust** 1/2" NPT (12.7mm)
- Suction Lift**
Dry 7' (2.1 m)
Wet 31' (9.4 m)
- Max Solid Size (Diameter)** . . 1/8" (3.2 mm)
- Max Noise Level** 95 dB(A)
- Shipping Weights**
Polypropylene 17 lbs (7.7 kg)
PVDF 22 lbs (10 kg)

Curves:



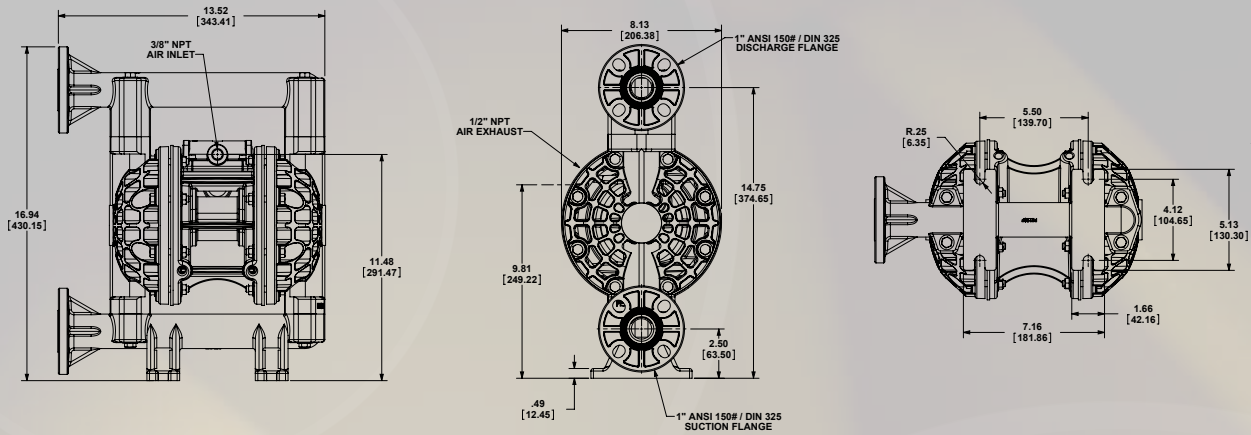
NOTE: Performance based on the following: elastomeric fitted pump, flooded suction, water at ambient conditions. The use of other materials and varying hydraulic conditions may result in deviations in excess of 5%.



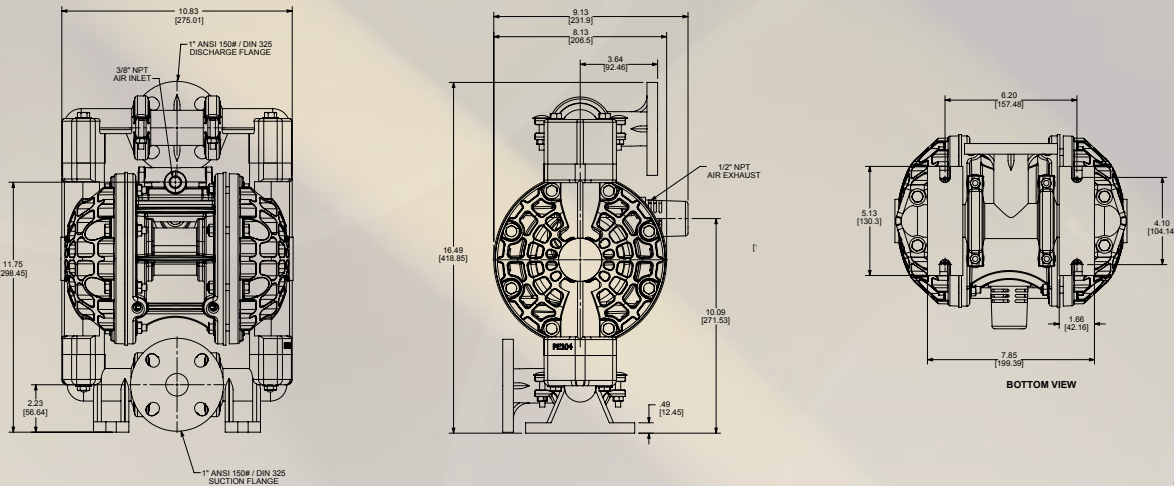
NOTE: Performance based on the following: elastomeric fitted pump, flooded suction, water at ambient conditions. The use of other materials and varying hydraulic conditions may result in deviations in excess of 5%.

Dimensional Drawings:

E1 Non-Metallic Bolted



E1 Non-Metallic Bolted (Center Ported Manifold Option)



Dimensions in Inches [mm]
Tolerance: $\pm 1/8''$ [$\pm 3\text{mm}$]

Industries & Applications



Chemical

Drum transfer,
chemical injection,
chemical batching



Lubrication

Dispensing of oil,
windshield solvent,
transmission fluid,
and anti-freeze



Printing

Ink dispensing,
apply glue



VERSA-MATIC®
Warren Rupp, Inc.
A Unit of IDEX Corporation
800 North Main Street
Mansfield, OH 44902 USA

Phone: 419.526.7296

Fax: 419.526.7289

versamatic.com



Distributed By:

©Copyright 2016 Warren Rupp, Inc. All Rights Reserved.

VM_E1Non-MetallicBro-rev0316