

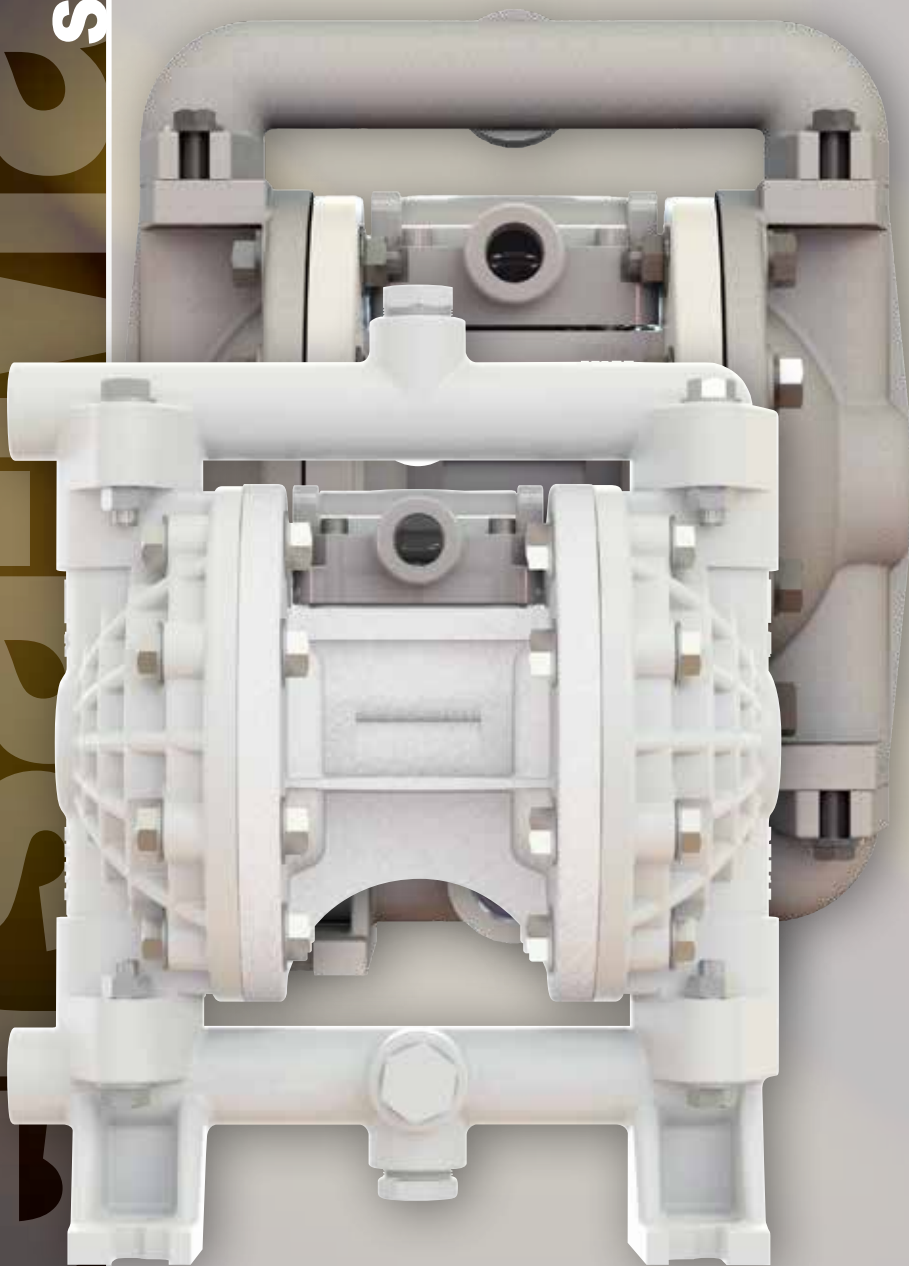
1/2" (12.7mm) metallic and non-metallic bolted

**E5**



**VERSA-MATIC® E5**

Experience Superior Performance



**Multiple Porting Options**

Top, side and end porting for both inlet and discharge

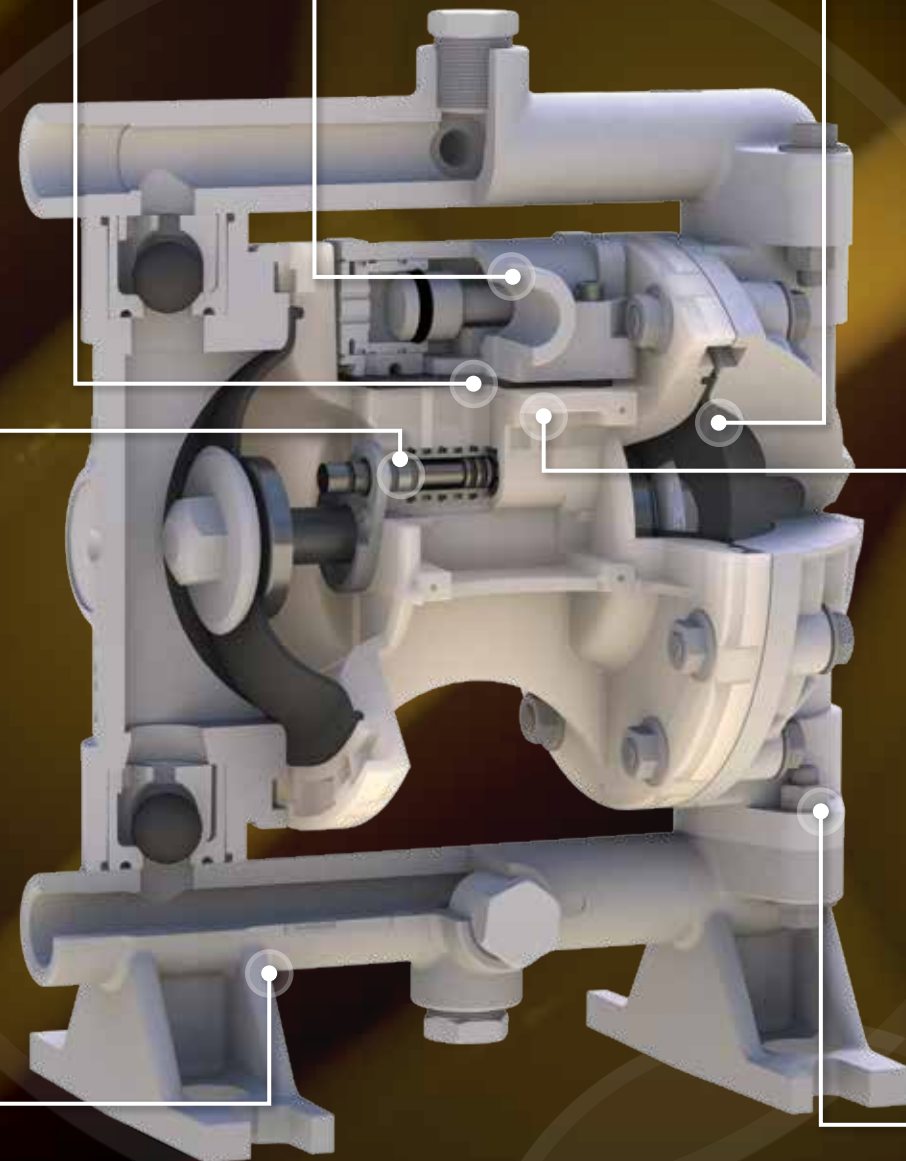
**Shoe Valve Technology**

On / Off / On reliability, with no costly air blow-by for excellent air efficiency

**Adaptable Footprint**

Allows for drop-in replacement in existing system configurations





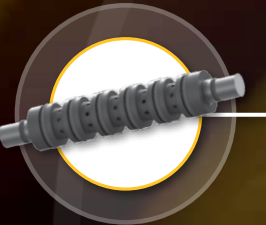
**Exclusive Elima-Matic Air Valve System**  
Unbalanced air valve delivers unsurpassed On / Off / On reliability.



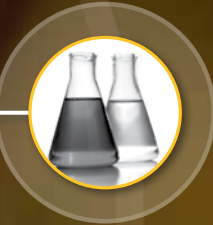
**Simple, Low Cost Maintenance**  
Air valve can be easily refurbished with low cost components (Seals / Bearing sleeves).



**Extended Life Diaphragms**  
Integrated Plate Bonded PTFE diaphragms. Ribbed backer, oversized integral plate, and deflection ridges extend flex life. No outer plates mean no leak path or plate abrasion.  
**VERSA-RUGGED** diaphragms deliver reliability in a variety of rubber and thermoplastic materials.



**Long Term Reliability**  
Modular pilot assembly eliminates complexity, and ensures consistent performance after maintenance is performed.



**Chemical Resistance**  
Air sections available in non-metallic or metallic construction materials. Protective coating options also available.



**Dimensional Interchangeability**  
E5 Non-metallic interchanges with ARO PD05 1/2" unit.



**Leak-Free Bolted Construction**  
Bolted construction provides enhanced sealing capabilities when pumping thin liquids.

**Accessories / Kits:**  
Protect Your Investment and Increase Uptime



**Filter Regulator**  
Clean dry air for optimum performance and longevity. Automatic drain for maintenance free operation.



**Drum Pump Kit**  
Allows the pump to be easily attached directly to a drum for simple product dispensing.



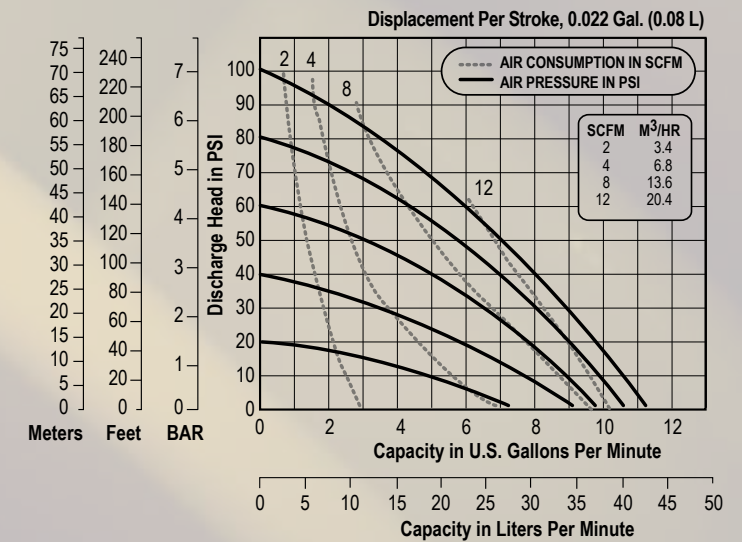
**Parts Kits**  
Save time and money with complete parts kits. Repair it once, repair it right.

**Performance:**

**E5 1/2" Bolted Metallic and Non-Metallic Rubber and TPE Fitted**

- Flow Rate**  
Adjustable to . . . . . 0-11 gpm (53 lpm)
- Port Size**  
Suction . . . . . 1/2" (12.7 mm) NPT  
Discharge . . . . . 1/2" (12.7 mm) NPT
- Air Inlet** . . . . . 3/8" (8.3 mm) NPT
- Air Exhaust** . . . . . 3/8" (8.3 mm) NPT
- Suction Lift**  
Dry . . . . . 12' (3.6 m)  
Wet . . . . . 30' (9.1 m)
- Max Solid Size (Diameter)** . . . . . 1/16" (1.6 mm)
- Shipping Weights**  
Acetal . . . . . 8.5 lbs. (3.9 kg)  
Polypropylene . . . . . 8.5 lbs. (3.9 kg)  
Conductive Polypropylene . . . . . 12 lbs. (5.4 kg)  
PVDF . . . . . 12 lbs. 5.4 kg)  
Aluminum . . . . . 11 lbs. (3.9 kg)  
Stainless Steel . . . . . 17 lbs. (7.7 kg)  
Alloy C . . . . . 17 lbs. (7.7 kg)

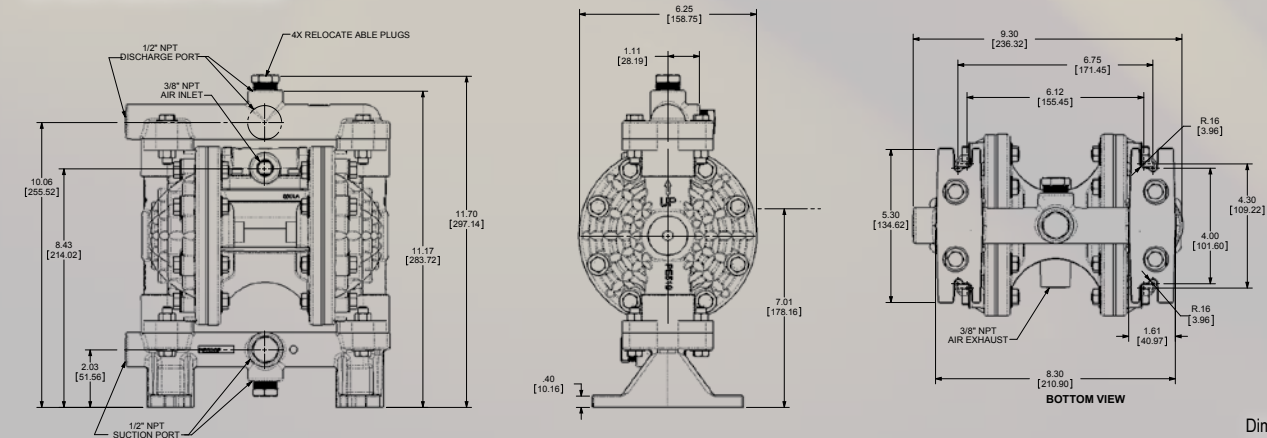
**Curves:**



*NOTE: Performance based on the following: elastomeric fitted pump, flooded suction, water at ambient conditions. The use of other materials and varying hydraulic conditions may result in deviations in excess of 5%.*

**Dimensional Drawings:**

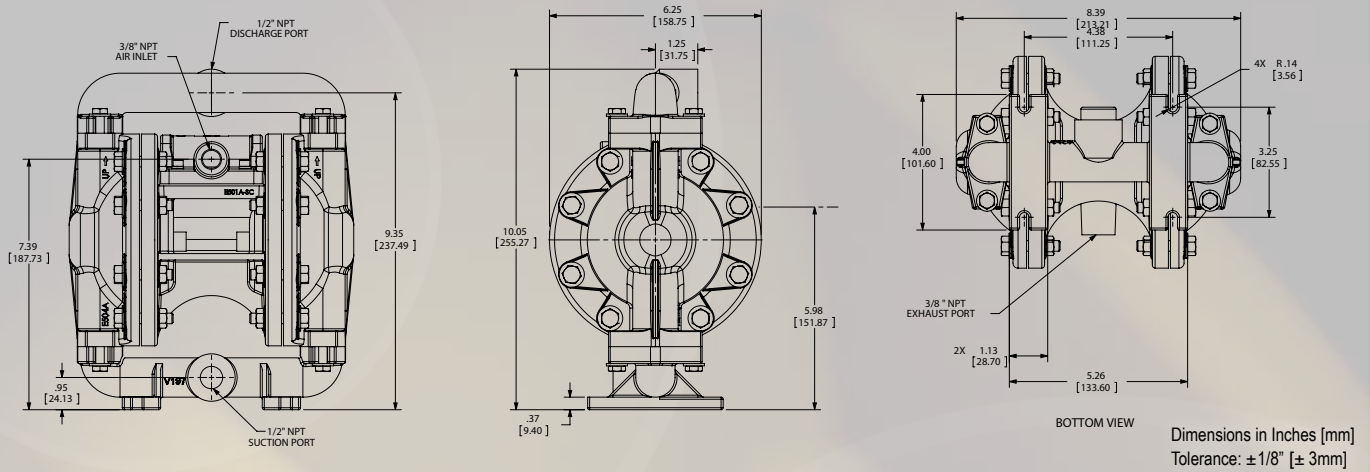
**E5 Non-Metallic Bolted**



Dimensions in Inches [mm]  
Tolerance: ±1/8" [± 3mm]

# Dimensional Drawings:

## E5 Metallic



# Industries & Applications



**Car Wash**  
Soap delivery, apply wheel cleaner and wax



**Printing**  
Ink dispensing, apply glue



**Chemical**  
Drum transfer, chemical injection, chemical batching



**Metal Finishing**  
Chemical transfer / dispensing



**Machining**  
Coolant filtration / transfer



**Lubrication**  
Dispensing of oil, windshield solvent, transmission fluid, and anti-freeze



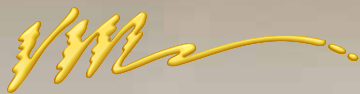
**Wood Finishing**  
Spray lacquers, solvents



**Pulp and Paper / Corrugation**  
Glue transfer and dispensing



**Construction**  
Concrete additives dispensing



**VERSA-MATIC®**  
Warren Rupp, Inc.  
A Unit of IDEX Corporation  
800 North Main Street  
Mansfield, OH 44902 USA  
Phone: 419.526.7296  
Fax: 419.526.7289  
[versamatic.com](http://www.versamatic.com)



**Distributed By:**