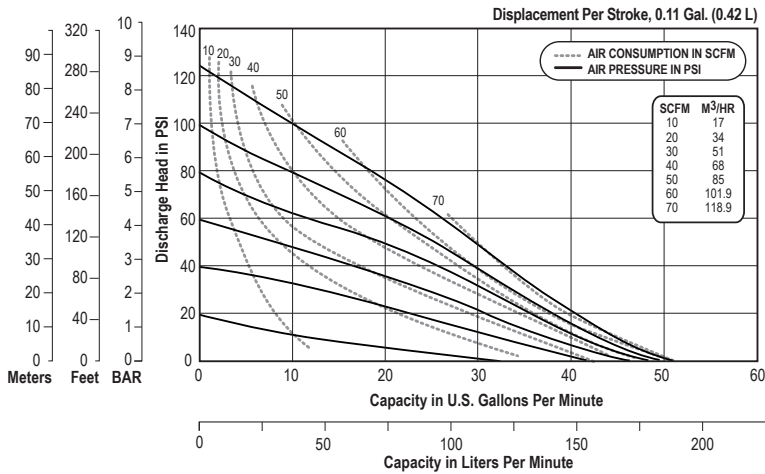


# E4 DATA SHEET

## SPECIFICATIONS & PERFORMANCE

**1 1/2" 3-A Certified**  
with Metal Center Section

### PERFORMANCE



**NOTE:** Performance based on the following: elastomeric fitted pump, flooded suction, water at ambient conditions. The use of other materials and varying hydraulic conditions may result in deviations in excess of 5%.

### SPECIFICATIONS

#### Flow Rate

Adjustable to . . . 0-51 gpm (193 lpm)

#### Port Size

Suction . . . . . 1 1/2" Tri-Clamp

Discharge . . . . . 1 1/2" Tri-Clamp

**Air Inlet** . . . . . 1/2" NPT

**Air Exhaust** . . . . . 3/4" NPT

#### Suction Lift

Dry . . . . . 15' (4.57 m)

Wet . . . . . 25' (7.62 m)

#### Max Solid Size (Diameter)

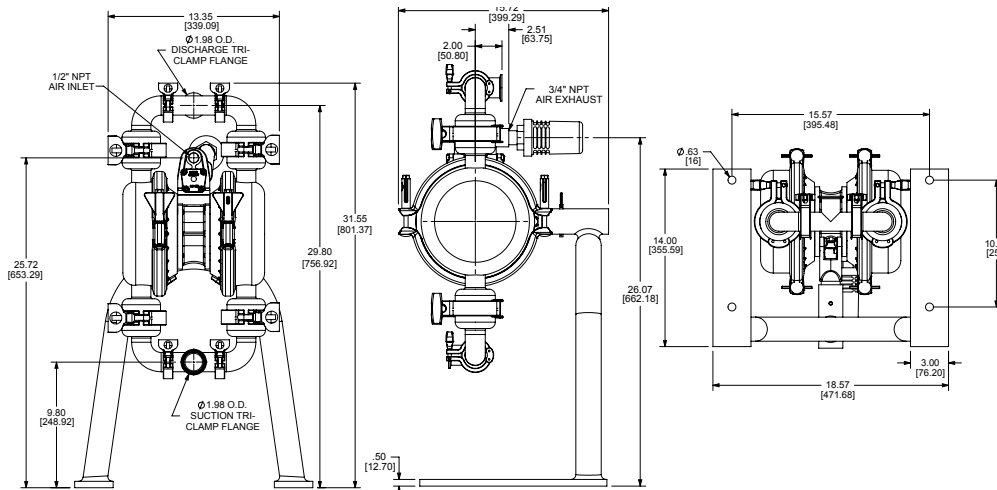
. . . . . 3/8" (9.5 mm)

**Max Noise Level** . . . . . 101 dB(A)

#### Shipping Weights

Stainless Steel . . . . . 75 lbs (34 kg)

### DIMENSIONS



Versa-Sense II leak detection unit comes standard on all 3A pumps.



**VERSAMATIC®**

Warren Rupp, Inc. | A Unit of IDEX Corporation  
800 North Main Street | Mansfield, OH 44902 USA  
Phone: 419.526.7296 | Fax: 419.526.7289

[VERSAMATIC.COM](http://VERSAMATIC.COM)

e4mdlAds3A-rev0519

©Copyright 2019 Warren Rupp, Inc. All Rights Reserved.