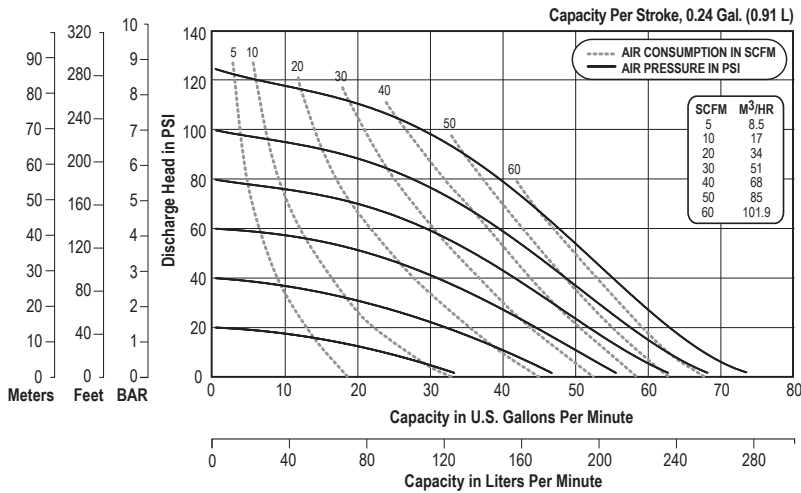


E4 DATA SHEET

SPECIFICATIONS & PERFORMANCE

1 1/2" Bolted Metal with Metal Center Section

PERFORMANCE



NOTE: Performance based on the following: elastomeric fitted pump, flooded suction, water at ambient conditions. The use of other materials and varying hydraulic conditions may result in deviations in excess of 5%.

SPECIFICATIONS

Flow Rate

Adjustable to . . . 0-73 gpm (276 lpm)

Port Size

Suction 1 1/2" Flange

Discharge 1 1/2" Flange

Air Inlet 1/2" NPT

Air Exhaust 3/4" NPT

Suction Lift

Dry 15' (4.6 m)

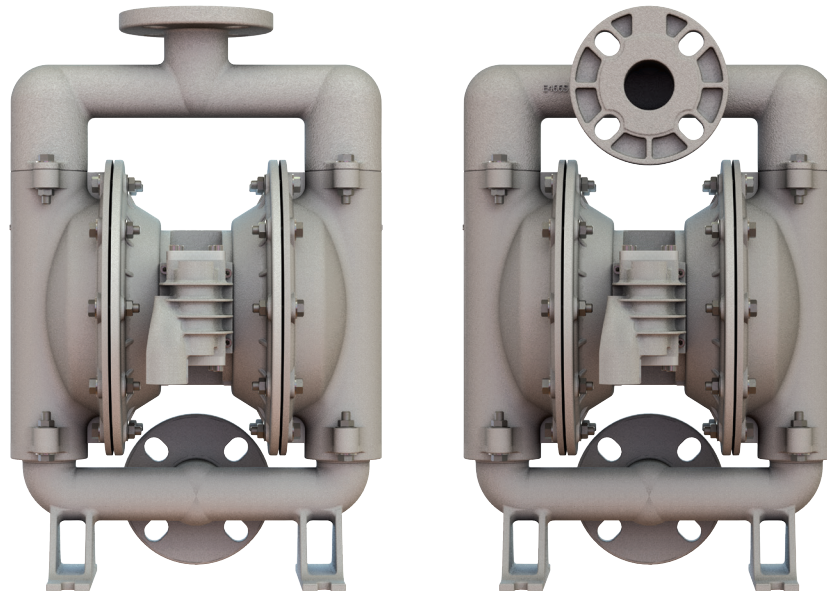
Wet 25' (7.6 m)

Max Solid Size (Diameter)

. 3/16" (4.76 mm)

Shipping Weights

Stainless Steel 65 lbs (29.5 kg)



VERSAMATIC[®]

Warren Rupp, Inc. | A Unit of IDEX Corporation
800 North Main Street | Mansfield, OH 44902 USA
Phone: 419.526.7296 | Fax: 419.526.7289

VERSAMATIC.COM

e4mdlAdsATEXMB-rev0519

©Copyright 2019 Warren Rupp, Inc. All Rights Reserved.

E4 DATA SHEET

SPECIFICATIONS & PERFORMANCE

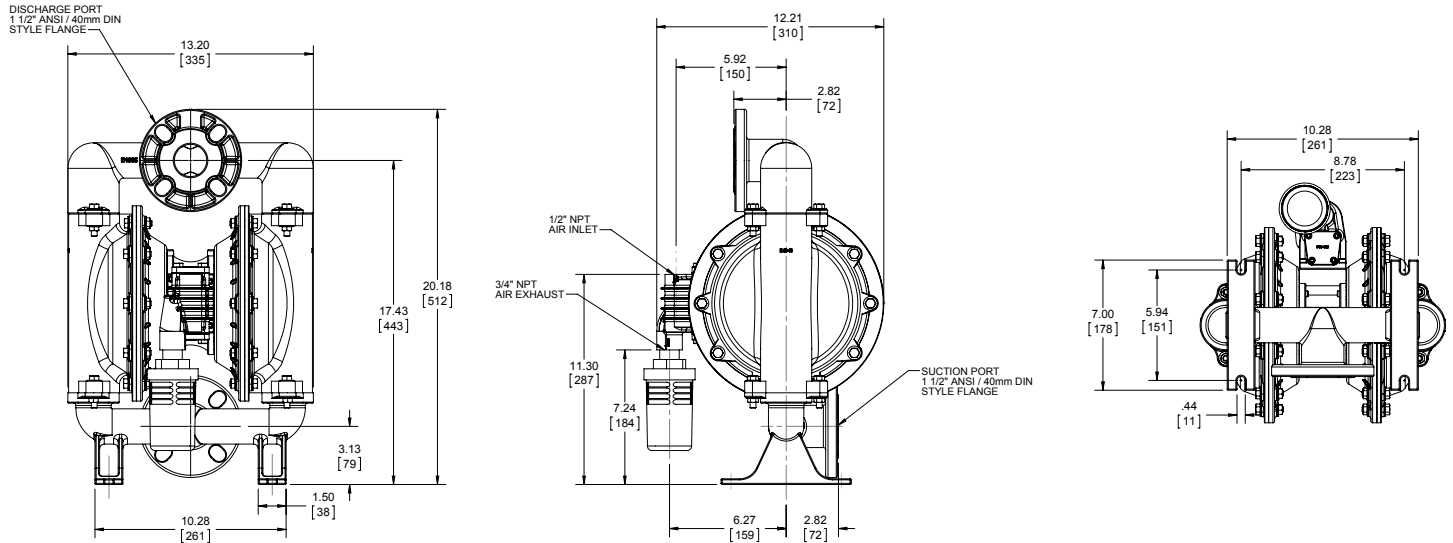
1 1/2" Bolted Metal with Metal Center Section

DIMENSIONS

E4 Bolted Metal (Horizontal Discharge)

Dimensions in inches (metric dimensions in brackets)

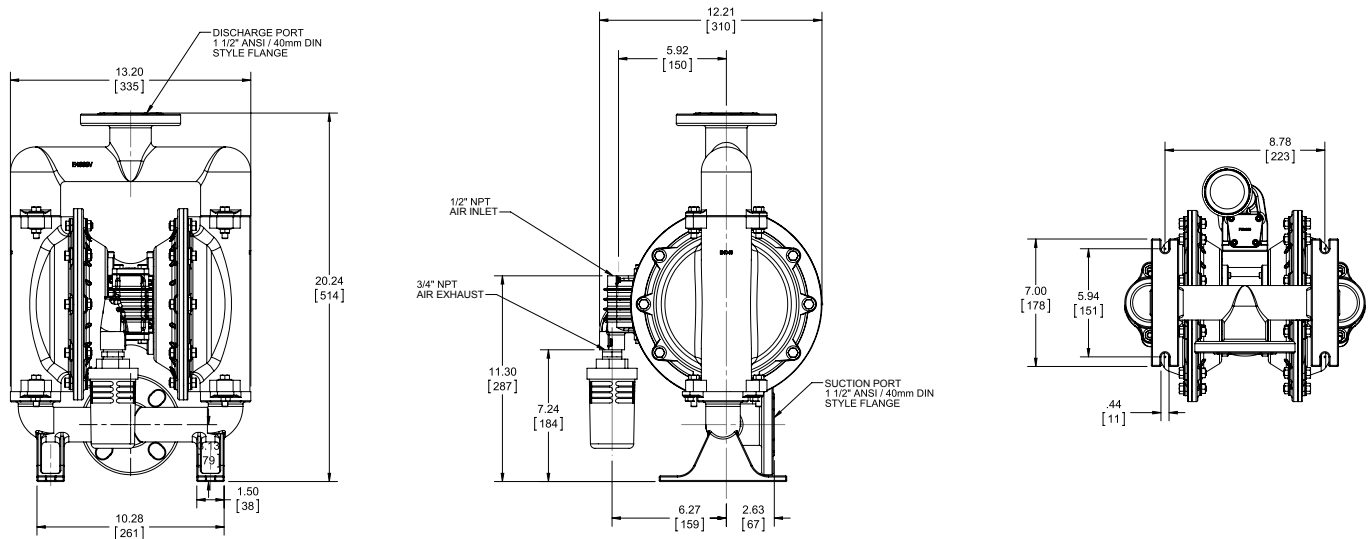
The dimensions on this drawing are for reference only. A certified drawing can be requested if physical dimensions are needed.



E4 Bolted Metal (Vertical Discharge)

Dimensions in inches (metric dimensions in brackets)

The dimensions on this drawing are for reference only. A certified drawing can be requested if physical dimensions are needed.



VERSAMATIC®

Warren Rupp, Inc. | A Unit of IDEX Corporation
800 North Main Street | Mansfield, OH 44902 USA
Phone: 419.526.7296 | Fax: 419.526.7289

VERSAMATIC.COM

e4mdlAdsATEXMB-rev0519

©Copyright 2019 Warren Rupp, Inc. All Rights Reserved.