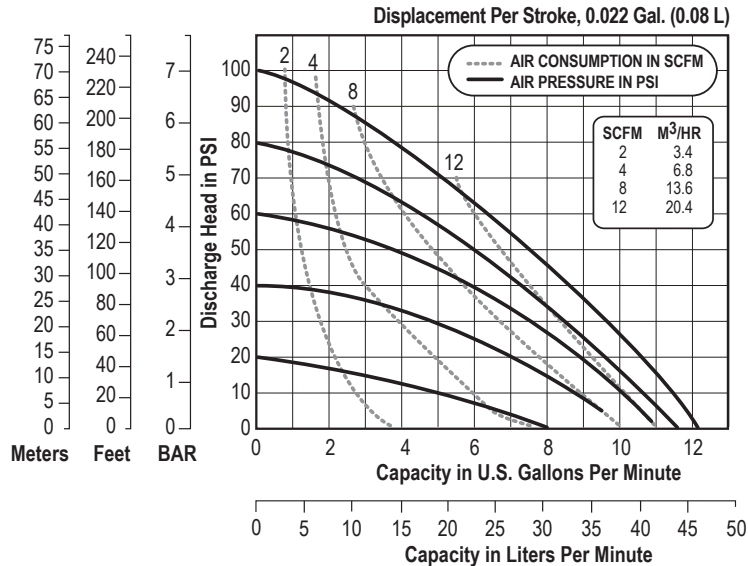


E7 DATA SHEET

SPECIFICATIONS & PERFORMANCE

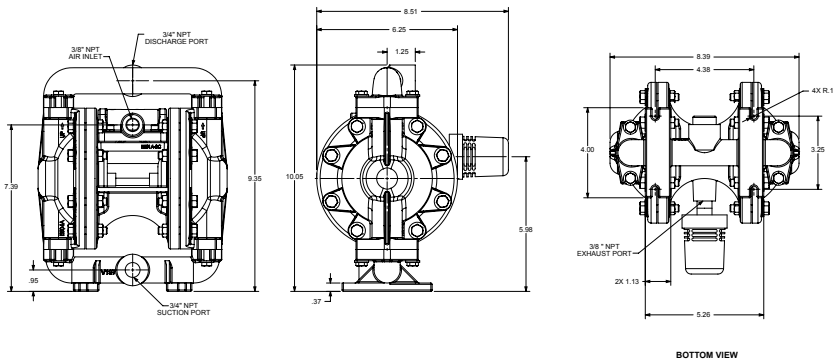
3/4" Bolted Metal-ATEX with Metal Center Sections

PERFORMANCE



NOTE: Performance based on the following: elastomeric fitted pump, flooded suction, water at ambient conditions. The use of other materials and varying hydraulic conditions may result in deviations in excess of 5%.

DIMENSIONS



SPECIFICATIONS

Flow Rate

Adjustable to0-12 gpm (45.4 lpm)

Port Size

Suction3/4" NPT

Discharge3/4" NPT

Air Inlet3/8" NPT

Air Exhaust3/8" NPT

Suction Lift

Dry13' (3.9 m)

Wet22' (6.7 m)

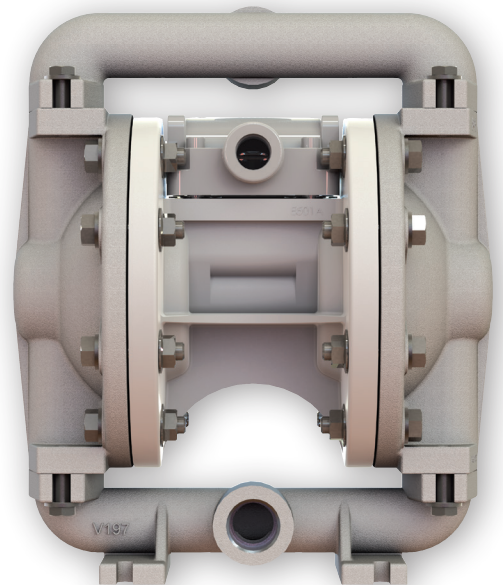
Max Solid Size (Diameter)

.1/16" (1.6 mm)

Max Noise Level84 dB(A)

Shipping Weights

Aluminum11 lbs (3.9 kg)



VERSAMATIC®

Warren Rupp, Inc. | A Unit of IDEX Corporation
800 North Main Street | Mansfield, OH 44902 USA
Phone: 419.526.7296 | Fax: 419.526.7289

VERSAMATIC.COM

e7mdlCds-rev0519

©Copyright 2019 Warren Rupp, Inc. All Rights Reserved.